



Filters for Communication Lines

Filter Cabinets

Series/Type: **B84299G0056/B84299G0111**

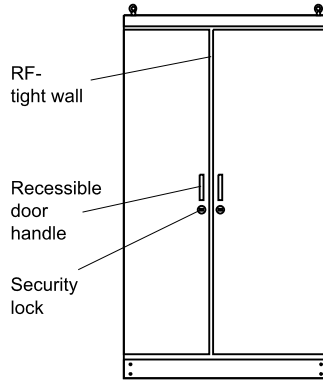
Date: January 2004

© EPCOS AG 2015. Reproduction, publication and dissemination of this publication, enclosures hereto and the information contained therein without EPCOS' prior express consent is prohibited.

EPCOS AG is a TDK Group Company.

Models

- Filter cabinets for max. 336 communication line filters with 1 pair or 2 lines
- Filter cabinets for max. 50 communication line filters with 10 pairs or 20 lines
- Filter for ISDN lines



SGR0202-3-E

Features

The cabinets can be equipped as required. A cable that simultaneously carries switching signals, communication signals and DC power, for example, can be split to separate filters for optimum signal transmission plus high stopband attenuation.

Only one RF-tight connection (connector fitting 80 mm, see chapter "Installation Accessories") is needed on the shielding wall. The split cables are protected by the cabinet.

Design

The filter cabinet is of 1.5 mm sheet steel. Through the middle there is an RF-tight, welded-in shielding wall of 3 mm high-grade steel ready provided with holes for filter attachment. Unused holes are sealed off by RF-tight screw plugs, which can be removed for later filter additions.

Access and connection

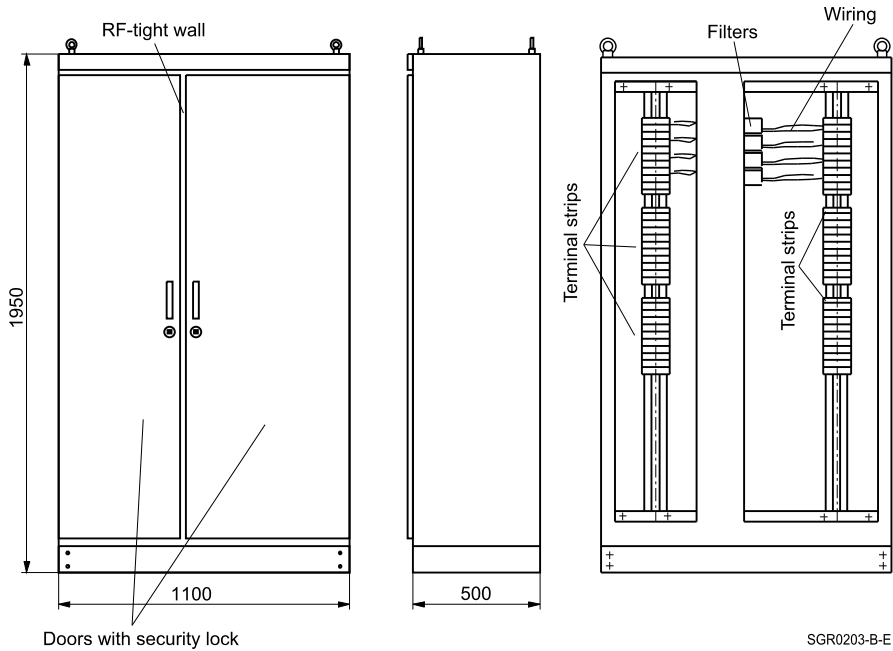
The filter cabinet is accessible through doors. Each has a recessible handle and can be locked. The cabinet has a specially designed lid with a dual seal that is bolted RF-tight to the cabinet.

There are clamping terminals for cable connection. Modified cable inlets and outlets are available upon request.

Filter cabinets for communication filters with 1 pair or 2 lines
Ordering code: B84299G0056...

(the ordering code will be completed by the producer)

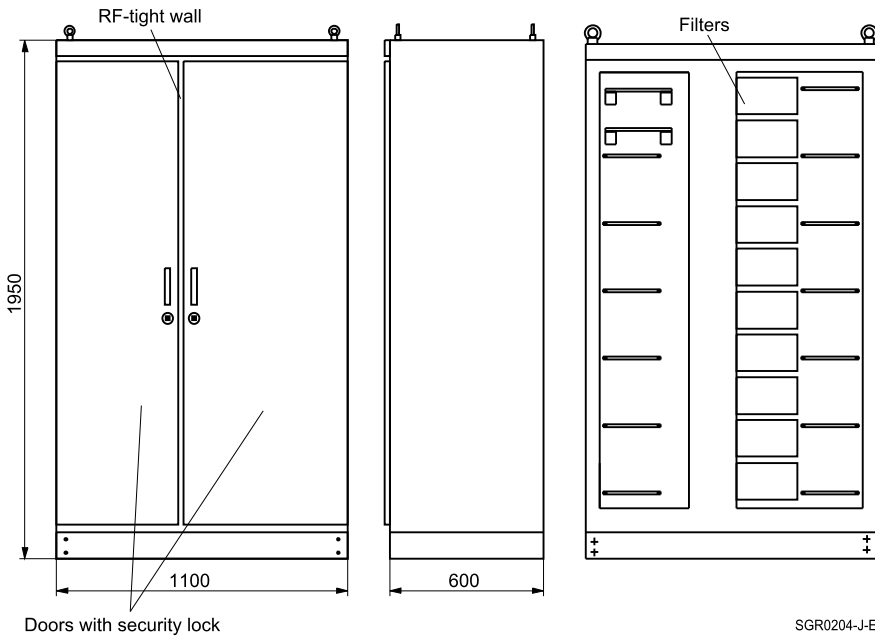
 The following example is a cabinet for
 max. 336 filters = 336 pairs/672 lines

Dimensional drawing


Filter cabinets for communication filters with 10 pairs or 20 lines
Ordering code: B84299G0111...

(the ordering code will be completed by the producer)

 The following example is a cabinet for
 max. 50 filters = 500 pairs/1000 lines

Dimensional drawing


SGR0204-J-E