



# Filters for Communication Lines

## Filter Boxes

**Series/Type:**      **B84299G**

Date: January 2004

© EPCOS AG 2015. Reproduction, publication and dissemination of this publication, enclosures hereto and the information contained therein without EPCOS' prior express consent is prohibited.

EPCOS AG is a TDK Group Company.

**Filter boxes**
**Models**

- Filter boxes for max. 52 communication line filters with 1 pair or 2 lines
- Filter boxes for max. 12 communication line filters with 10 pair or 20 lines

**Features**

The box is suitable for a mixed complement. A cable that simultaneously carries switching signals, communication signals and DC power, for example, can be split to separate filters for optimum signal transmission plus high stopband attenuation.

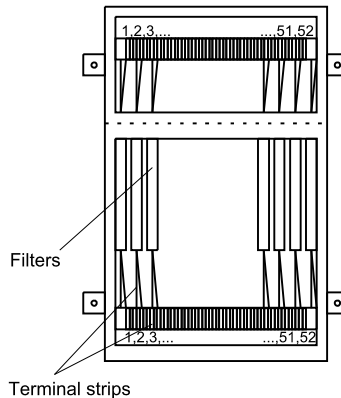
Only one RF-tight connection is needed on the shielding wall. The split cables are protected by the box.

**Overview**

Model	Slots	Number of pairs / lines	Ordering code	Page
1 pair or 2 lines	26	26 / 52	B84299G0126A...	110
	52	52 / 104	B84299G0152A...	111
10 pairs or 20 lines	6	60 / 120	B84299G0114A...	114
	12	120 / 240	B84299G0114B...	115

**Filter boxes for communication line filters  
with 1 pair or 2 lines**
**Design**

- Material: 1.5 mm sheet steel
- RF-tight, welded-in shielding wall of high-grade steel
- Both parts of filter box accessible through separate lids



SGR0205-S-E

The shielding wall has 26 or 52 holes for screwing in the filters. Unused holes are sealed off by RF-tight screw plugs, which can be removed for later filter additions.

On each side of the box there are terminal strips for attaching the filter lines, and 3 cable inlets with the thread size of PG 29. Matching cable glands can be screwed in here using reducer rings if necessary.

Ex works the filter box comes with 2 glands of size PG 29 for cable diameters of 23 to 28 mm. At the front end the filter box can be connected to the shielding wall with maximally 3 connector fittings with nominal width of 25 mm.

Other cable inlets are available upon request.

**26 slots = 26 pairs / 52 lines**

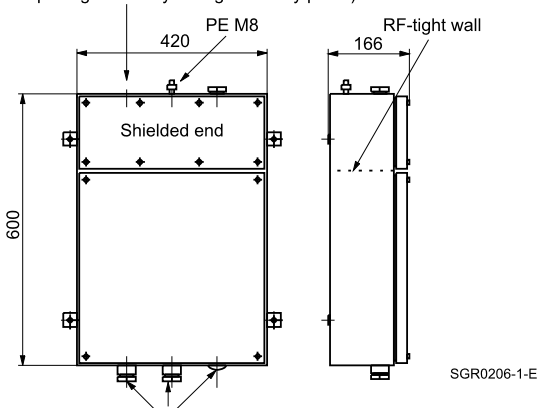
**Ordering code: B84299G0126A...**

(the ordering code will be completed by the producer)

### Dimensional drawing

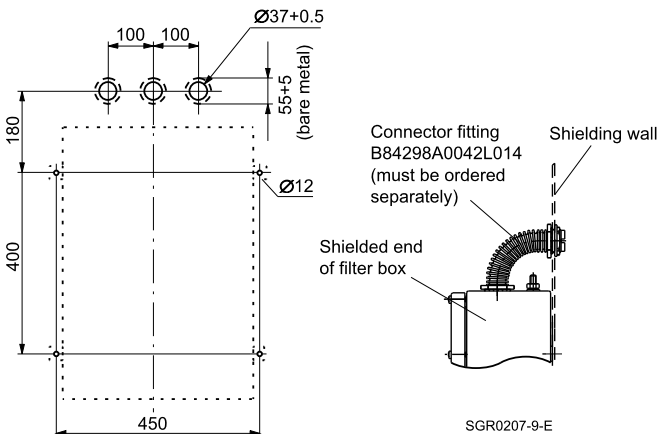
Connecting to shielding wall with max. 3 connector fittings B84298A0042L\*\*\*  
(must be ordered separately)

(2nd opening sealed by RF-tight dummy panel)



Cable inlet end with 3 holes PG 29,  
fitted with the 2 cable glands PG 29 and 1 dummy panel

### Fixing dimensions for use of connector fitting B84298A0042L014



**52 slots = 52 pairs / 104 lines**

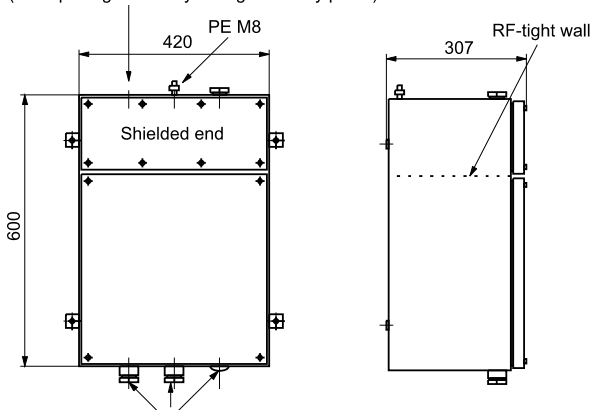
**Ordering code: B84299G0152A...**

(the ordering code will be completed by the producer)

**Dimensional drawing**

Connecting to shielding wall with max. 3 connector fittings B84298A0042L\*\*\*  
(must be ordered separately)

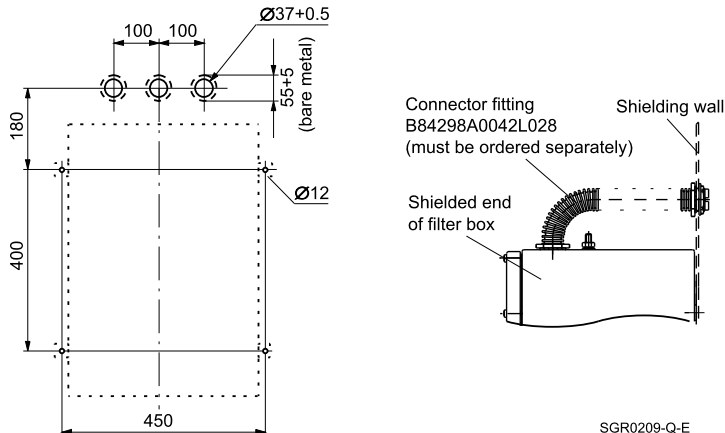
(2nd opening sealed by RF-tight dummy panel)



Cable inlet end with 3 holes PG 29,  
fitted with the 2 cable glands PG 29 and 1 dummy panel

SGR0208-H-E

**Fixing dimensions for use of connector fitting B84298A0042L028**



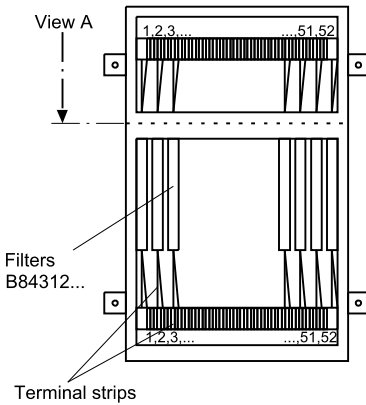
SGR0209-Q-E

Filter boxes

Interior view of filter box with 26 slots

(Example)

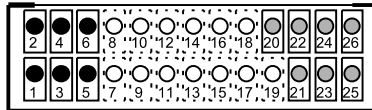
Plan view (without lids)



View A

Complement of filter box  
(view of shielded wall)

Lid side

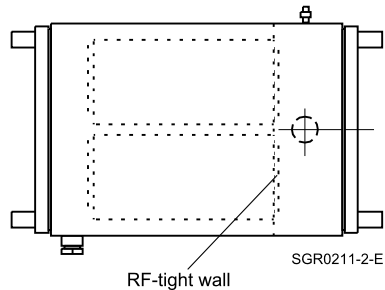


- Fi1...Fi6: 6 filters B84312C0090B104 for communication lines 0...3.4 kHz
- not used
- Fi20...Fi26: 7 filters B84312C0100B103 for control lines (Control switches, ...)

SGR0210-T-E

**Filter boxes**
**Filter boxes for communication line filters  
with 10 pairs or 20 lines**
**Design**

- Material: 1.5 mm sheet steel
- RF-tight, welded-in shielding wall of high-grade steel
- Both parts of filter box accessible through separate lids.



The shielding wall has 6 or 12 rectangular cutouts for screwing in the filters. Unused cutouts are sealed off by RF-tight dummy panels, which can be removed for later filter additions.

On each side of the box there are terminal strips for attaching the filter lines, and 4 cable inlets with the thread size of PG 29. Matching cable glands can be screwed in here using reducer rings if necessary.

Ex works the filter box comes with 4 glands of size PG 29, PG 29/PG 21 reducer rings and PG 21 cable glands.

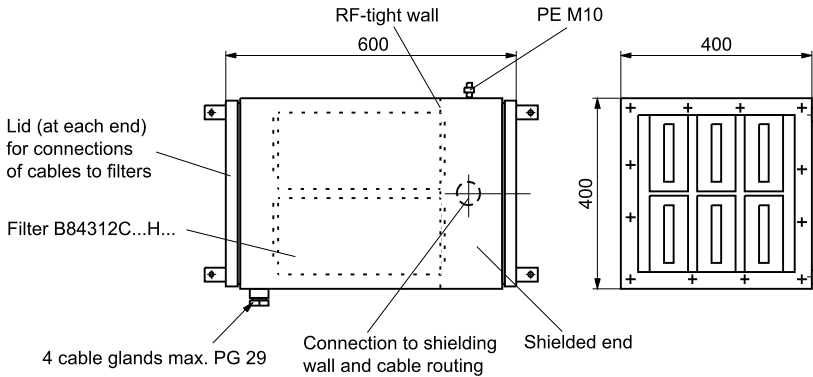
On the rear the filter box can be connected direct and RF-tight to the shielding wall.

**Filter boxes**

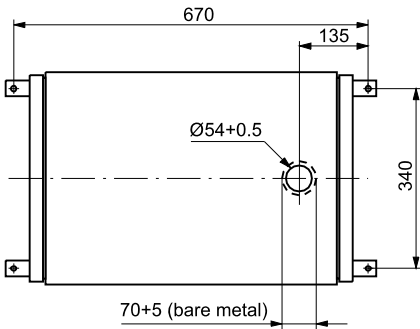
**6 slots = 60 pairs / 120 lines**

**Ordering code: B84299G0114A...**

(the ordering code will be completed by the producer)

**Dimensional drawing**


SGR0212-A-E

**Fixing dimensions**


SGR0213-I-E

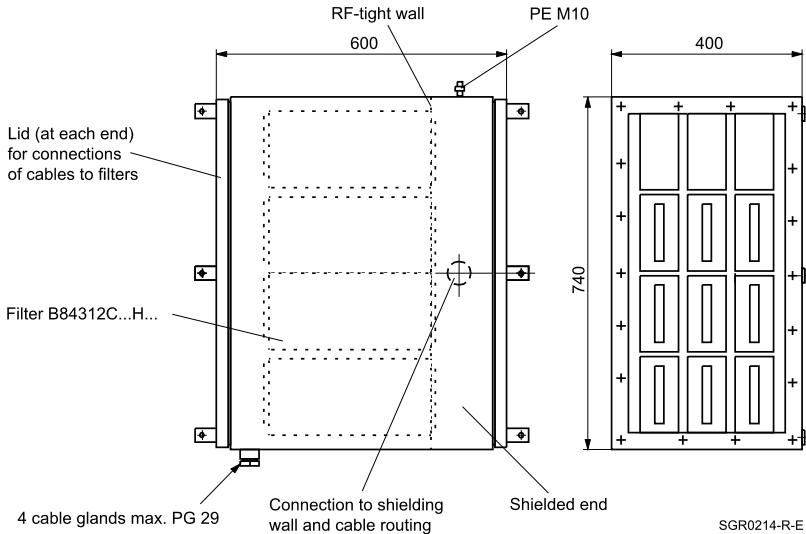


**12 slots = 120 pairs / 240 lines**

**Ordering code: B84299G0114B...**

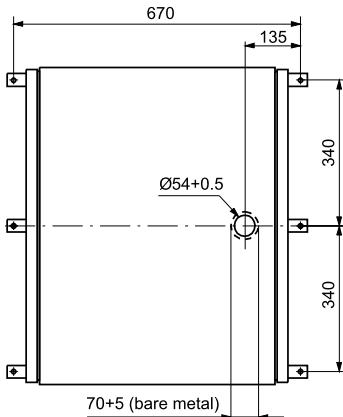
(the ordering code will be completed by the producer)

**Dimensional drawing**



SGR0214-R-E

**Fixing dimensions**



SGR0215-Z-E