

Installation Accessories

Series/Type: B84298M

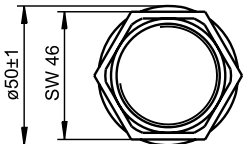
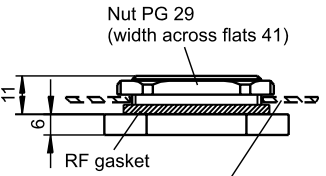
Date: January 2004

© EPCOS AG 2015. Reproduction, publication and dissemination of this publication, enclosures hereto and the information contained therein without EPCOS' prior express consent is prohibited.

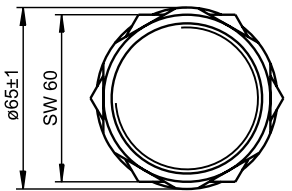
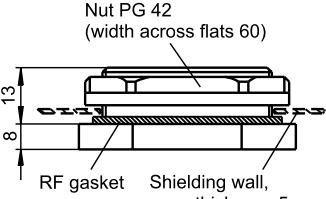
EPCOS AG is a TDK Group Company.

RF-tight screw plugs

for sealing holes for connector fittings

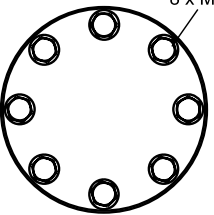
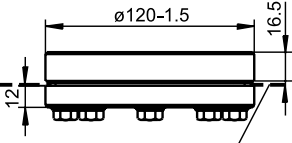
Dimensional drawing	Installation instruction	Ordering code
Nominal width 25 mm, for connector fitting type B84298A0042L...		
 <p style="text-align: center;">SGR0234-6</p>	 <p style="text-align: center;">SGR0235-E-E</p>	B84298M0029C001

Nominal width 40 mm, for connector fitting type B84298A0044L...

 <p style="text-align: center;">SGR0236-M</p>	 <p style="text-align: center;">SGR0237-V-E</p>	B84298M0042C001
--	--	-----------------

RF-tight cover flange plate

Nominal width 80 mm, for connector fitting type B84298A0046L...

 <p style="text-align: center;">SGR0238-4</p>	 <p style="text-align: center;">SGR0239-C-E</p>	B84298M0080C001
--	--	-----------------

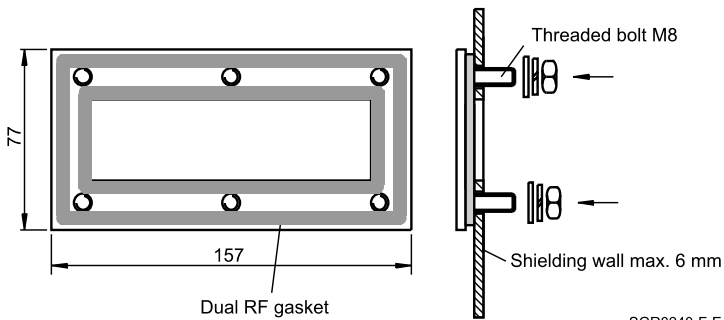
Dummy panel for fixing holes

Ordering code: B84298M0012C001

for communication line filters B84312C*H...

The dummy panel will be delivered with all parts needed to close an opening for communication line filters with 10 pairs (B84312CH...) RF-tight up to 40 GHz.

Dimensional drawing



SGR0240-F-E

Adapter flange for fixing holes

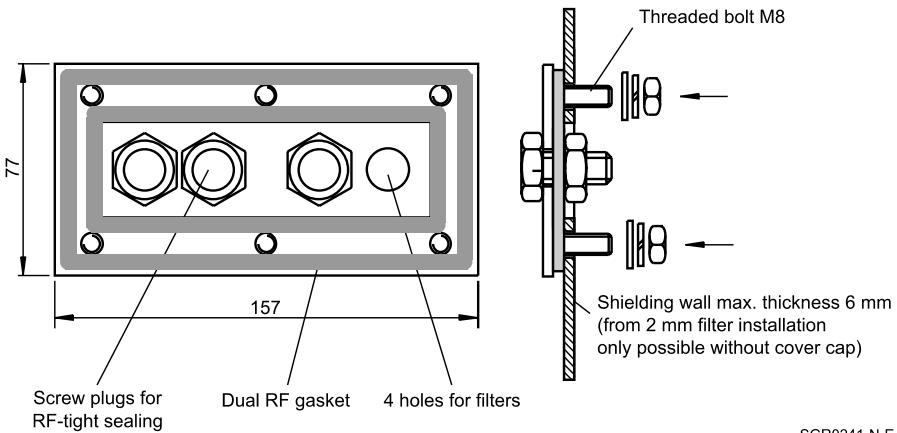
Ordering code: B84298M0012C002

for communication line filters B84312C*H... (10 pairs/20 lines).

The adapter flange enables installation of up to four 2-line filters (B84312C*B...) or 4-line filters (B84312C*E...) RF-tight up to 40 GHz. It comes with all parts needed.

With the adapter flange you get 3 screw plugs for RF-tight sealing of unused holes.

Dimensional drawing



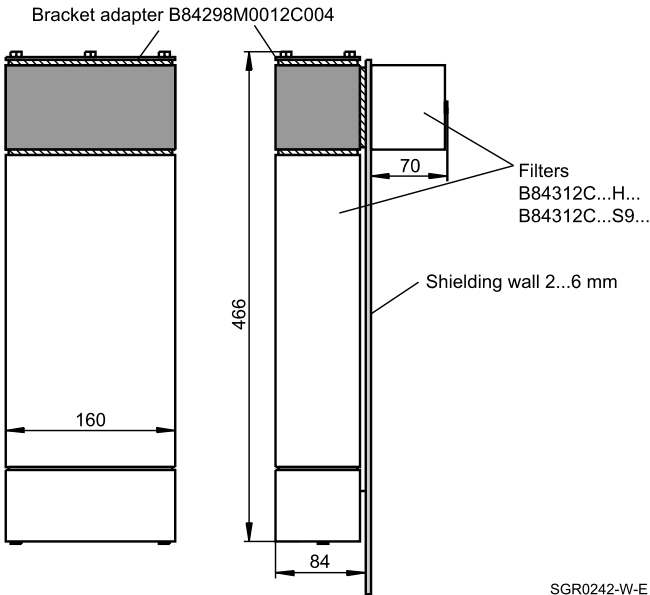
SGR0241-N-E

Bracket adapter for communication line filters with 10 pairs

Ordering code: B84298M0012C004

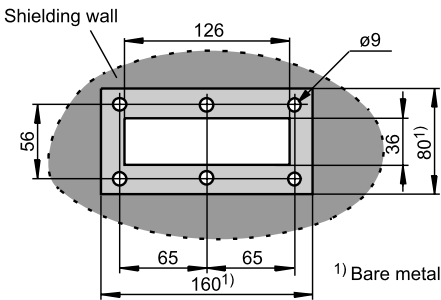
The bracket adapter allows flat installation of a communication line filters with 10 pairs (B84312C*H...) on the shielding wall.

Dimensional drawing



SGR0242-W-E

Installation section



SGR0243-5-E