

## Installation Accessories

**Series/Type:** B84298A0046L

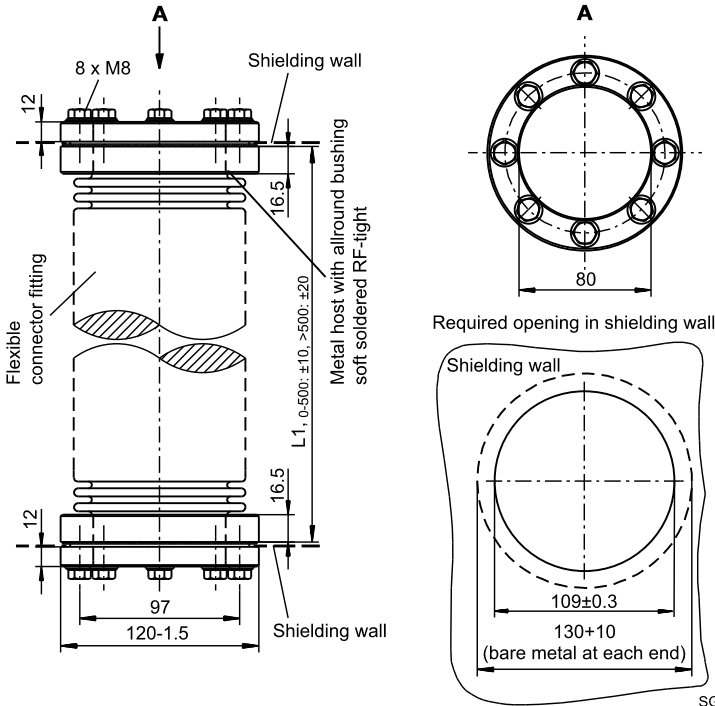
Date: January 2004

© EPCOS AG 2015. Reproduction, publication and dissemination of this publication, enclosures hereto and the information contained therein without EPCOS' prior express consent is prohibited.

EPCOS AG is a TDK Group Company.

**Flexible connector fittings, nominal width 80 mm**

**Dimensional drawing**



Available lengths:

L1	Increment	Tolerance	Ordering code
6 up to 100 cm	2 cm	±10 mm	B84298A0046L***
>100 up to 400 cm	5 cm	±10 mm	
>400 up to 500 cm	5 cm	±10 mm	
>500 up to 600 cm	10 cm	±20 mm	*** = required length Example for length 98 cm: B84298A0046L098
>600 up to 980 cm	20 cm	±20 mm	

**Note:**

Use new RF gaskets after replacing connector fitting.

Ordering code for replacement RF gaskets (per set): B84298M0080C901