



Power Quality Solutions

Vacuum Contactor for Indoor Applications - Mechanical Latch Type

Series/Type: EVC7400-L
Ordering code: B44061*
Date: August 2018
Version: 8

© EPCOS AG 2018. Reproduction, publication and dissemination of this publication, enclosures hereto and the information contained therein without EPCOS' prior express consent is prohibited.

EPCOS AG is a TDK Group Company.

Preliminary data
Technical data and ordering codes

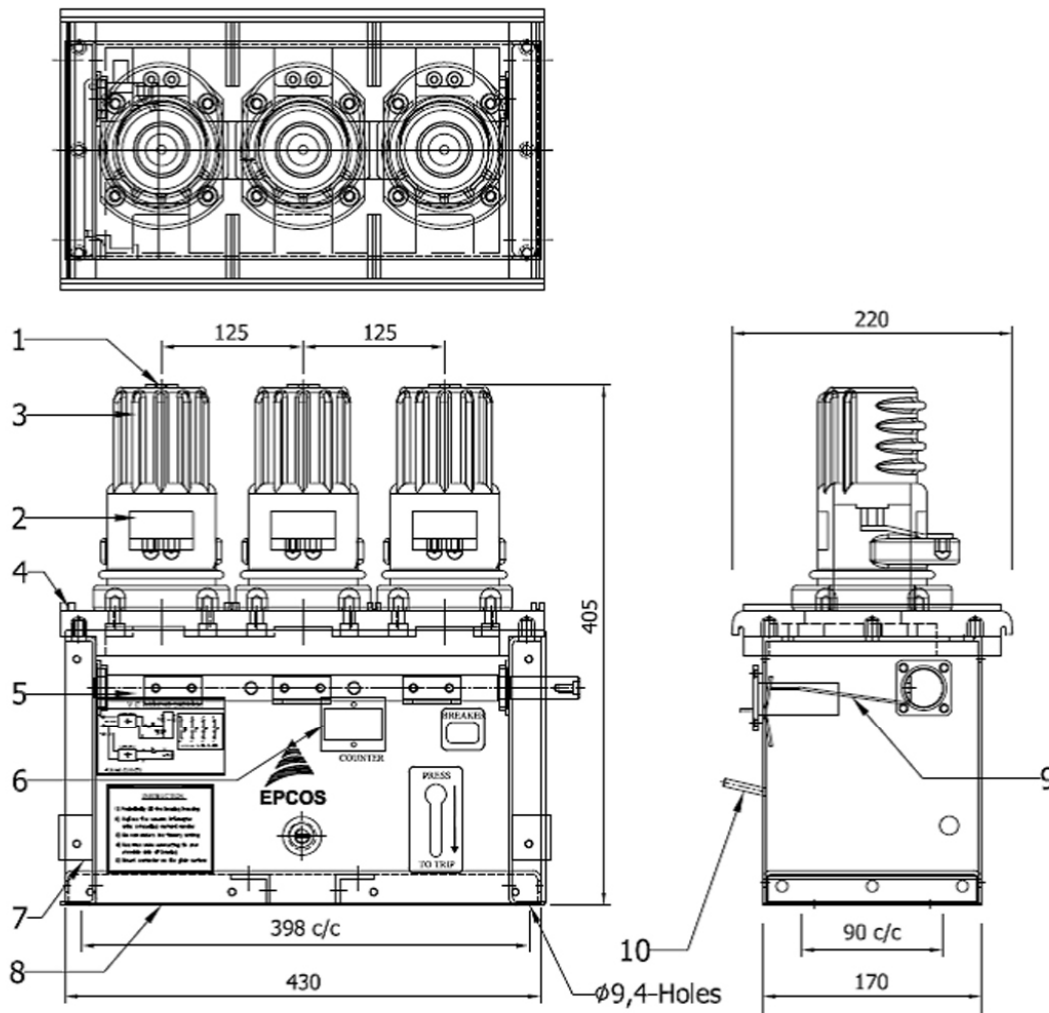
Voltage	kV	7.2
Rated thermal current	Amp	400
Motor switching current (AC3)	Amp	400
Motor switching current (AC4)	Amp	200
Capacitor switching current	Amp	200
Rated power frequency	kV	20
Lightning impulse (1.2/50 μ sec)	kVp	60
STC for 1 sec	kAmp	10 kArms with 25 kA dynamic peak.
Operation frequency	operation/hr	120
Category of use		AC4
100 closing operations	Amp	4000
25 opening operations	Amp	4000
Aux. voltage (AC/DC)	V	110/220
Life expectancy		
Electrical life (Category AC3)	operations	100000
Mechanical life	operations	200000
Capacitor switch duty	operations	50000
Short circuit breaking capacity (kA)	kAmp	4
Short circuit making capacity (kA)	kAp	25
Contact gap (approx.)	mm	3
Closing time (approx.)	ms	100
Closing current (approx.)	Amp	5
Holding current (approx.)	Amp	0
Closing coil wattage (approx.)	Watt	880
Holding coil wattage (approx.)	Watt	88
Weight (approx.)	Kg	25
Reference standard		IEC 60470 / IEC 60694
Ordering codes		
3 terminals	for 220 V AC/DC	B44061C1400C066
3 terminals	for 110 V AC/DC	B44061C1401C066
2 terminals	for 220 V AC/DC	B44061C2100B066
2 terminals	for 110 V AC/DC	B44061C1401B066
1 terminal	for 220 V AC/DC	B44061C1400A066
1 terminal	for 110 V AC/DC	B44061C1401A066

Display of ordering codes for EPCOS products

The ordering code for one and the same EPCOS product can be represented differently in data sheets, data books, other publications, on the EPCOS website, or in order-related documents such as shipping notes, order confirmations and product labels. **The varying representations of the ordering codes are due to different processes employed and do not affect the specifications of the respective products.** Detailed information can be found on the Internet under www.epcos.com/orderingcodes

Preliminary data

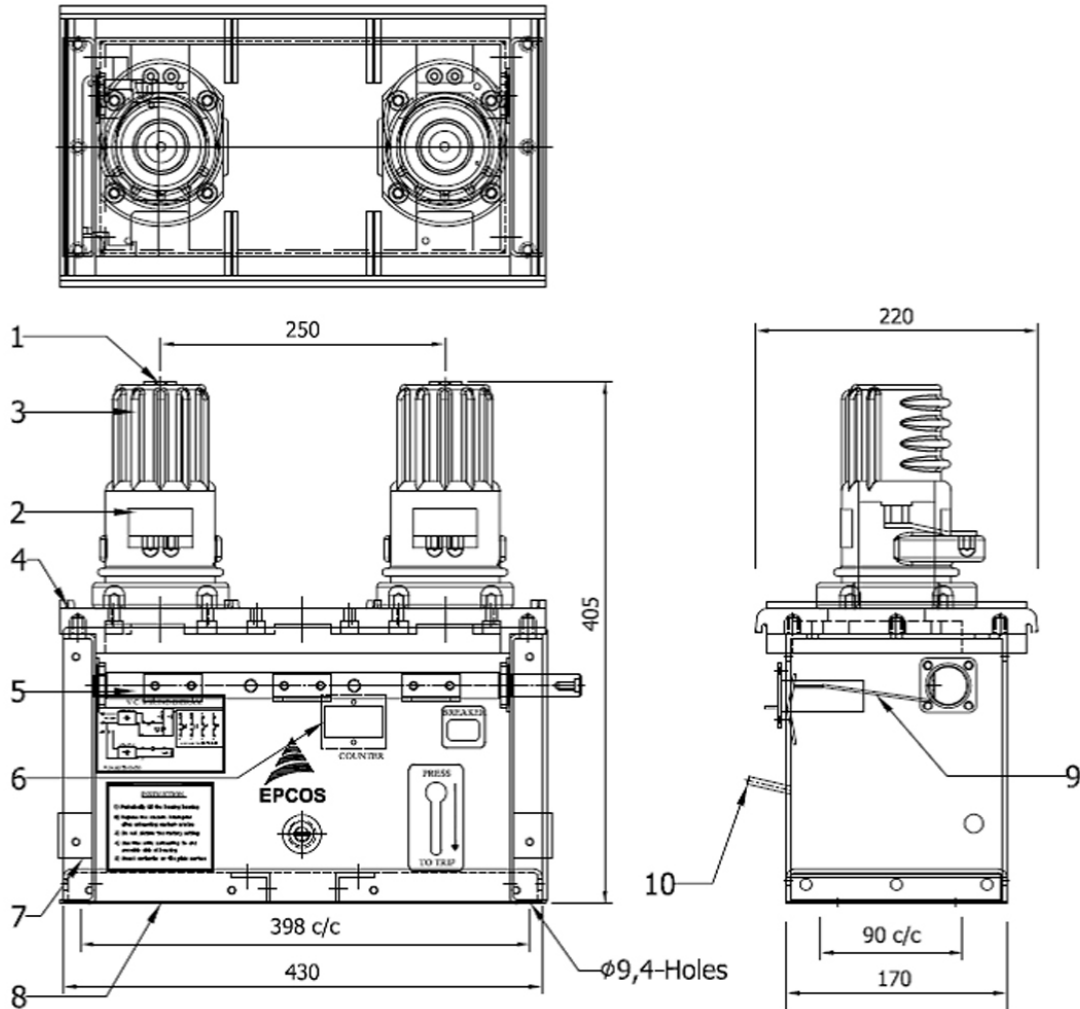
Dimensional drawings



Legend :-

- 1. Incoming Terminal
- 2. Outgoing Terminal
- 3. Epoxy Pole
- 4. Slot for Barrier Plate
- 5. Operating Mechanism.
- 6. Counter
- 7. Terminal Block
- 8. Mounting Frame
- 9. Mechanical Indicator for ON / OFF
- 10 Manual tripping Mechanism

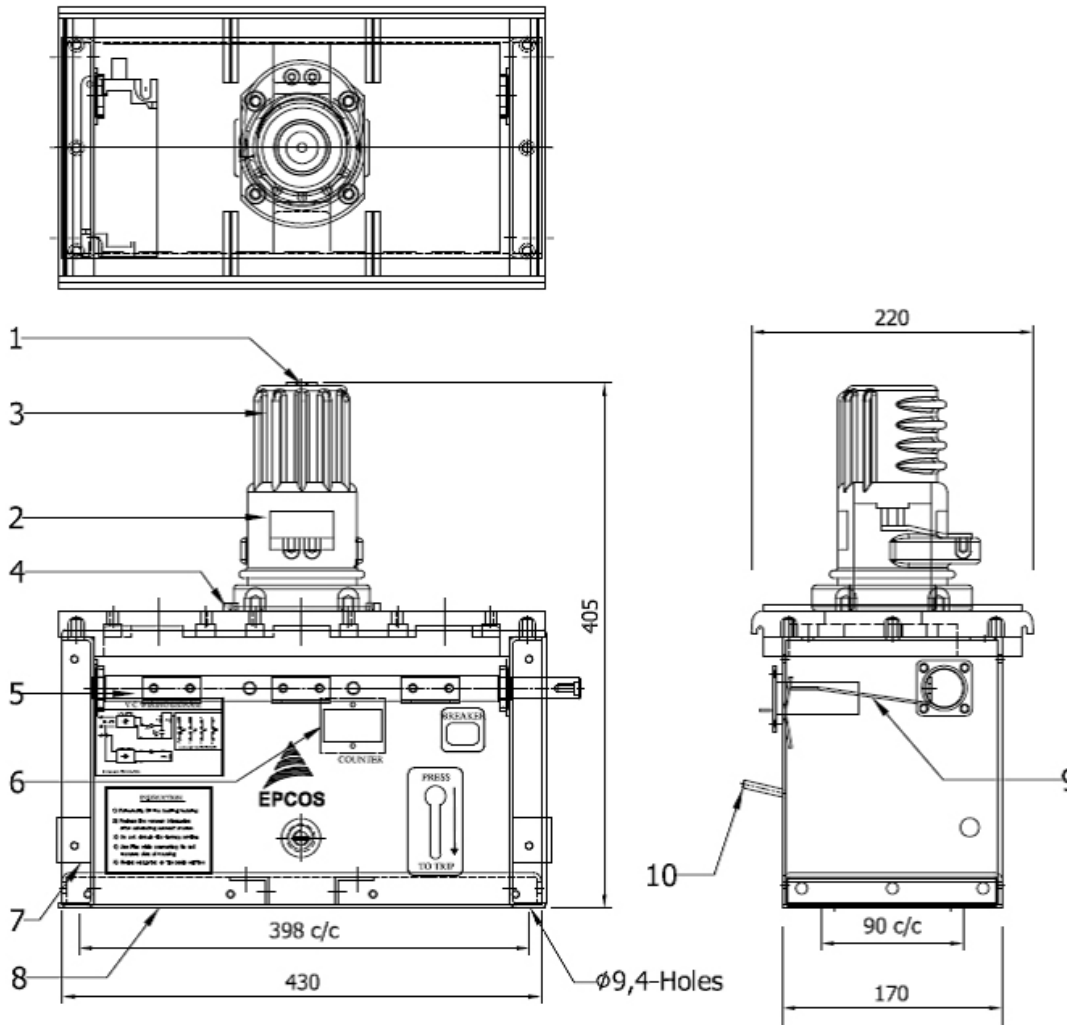
Preliminary data



Legend :-

- 1. Incoming Terminal
- 2. Outgoing Terminal
- 3. Epoxy Pole
- 4. Slot for Barrier Plate
- 5. Operating Mechanism.
- 6. Counter
- 7. Terminal Block
- 8. Mounting Frame
- 9. Mechanical Indicator for ON / OFF
- 10 Manual tripping Mechanism

Preliminary data



Legend :-

- 1. Incoming Terminal
- 2. Outgoing Terminal
- 3. Epoxy Pole
- 4. Slot for Barrier Plate
- 5. Operating Mechanism.
- 6. Counter
- 7. Terminal Block
- 8. Mounting Frame
- 9. Mechanical Indicator for ON / OFF
- 10 Manual tripping Mechanism

Important notes

The following applies to all products named in this publication:

1. Some parts of this publication contain **statements about the suitability of our products for certain areas of application**. These statements are based on our knowledge of typical requirements that are often placed on our products in the areas of application concerned. We nevertheless expressly point out **that such statements cannot be regarded as binding statements about the suitability of our products for a particular customer application**. As a rule, EPCOS is either unfamiliar with individual customer applications or less familiar with them than the customers themselves. For these reasons, it is always ultimately incumbent on the customer to check and decide whether an EPCOS product with the properties described in the product specification is suitable for use in a particular customer application.
2. We also point out that **in individual cases, a malfunction of electronic components or failure before the end of their usual service life cannot be completely ruled out in the current state of the art, even if they are operated as specified**. In customer applications requiring a very high level of operational safety and especially in customer applications in which the malfunction or failure of an electronic component could endanger human life or health (e.g. in accident prevention or life-saving systems), it must therefore be ensured by means of suitable design of the customer application or other action taken by the customer (e.g. installation of protective circuitry or redundancy) that no injury or damage is sustained by third parties in the event of malfunction or failure of an electronic component.
3. **The warnings, cautions and product-specific notes must be observed.**
4. In order to satisfy certain technical requirements, **some of the products described in this publication may contain substances subject to restrictions in certain jurisdictions (e.g. because they are classed as hazardous)**. Useful information on this will be found in our Material Data Sheets on the Internet (www.epcos.com/material). Should you have any more detailed questions, please contact our sales offices.
5. We constantly strive to improve our products. Consequently, **the products described in this publication may change from time to time**. The same is true of the corresponding product specifications. Please check therefore to what extent product descriptions and specifications contained in this publication are still applicable before or when you place an order. We also **reserve the right to discontinue production and delivery of products**. Consequently, we cannot guarantee that all products named in this publication will always be available. The aforementioned does not apply in the case of individual agreements deviating from the foregoing for customer-specific products.
6. Unless otherwise agreed in individual contracts, **all orders are subject to the current version of the "General Terms of Delivery for Products and Services in the Electrical Industry" published by the German Electrical and Electronics Industry Association (ZVEI)**.
7. **Our manufacturing sites serving the automotive business apply the IATF 16949 standard**. The IATF certifications confirm our compliance with requirements regarding the quality management system in the automotive industry. Referring to customer requirements and customer specific requirements ("CSR") TDK always has and will continue to have the policy of respecting individual agreements. Even if IATF 16949 may appear to support the acceptance of unilateral requirements, we hereby like to emphasize that **only requirements mutually agreed upon can and will be implemented in our Quality Management System**. For clarification purposes we like to point out that obligations from IATF 16949 shall only become legally binding if individually agreed upon.

Important notes

8. The trade names EPCOS, CeraCharge, CeraDiode, CeraLink, CeraPad, CeraPlas, CSMP, CTVS, DeltaCap, DigiSiMic, ExoCore, FilterCap, FormFit, LeaXield, MiniBlue, MiniCell, MKD, MKK, MotorCap, PCC, PhaseCap, PhaseCube, PhaseMod, PhiCap, PowerHap, PQSine, PQvar, SIFERRIT, SIFI, SIKOREL, SilverCap, SIMDAD, SiMic, SIMID, SineFormer, SIOV, ThermoFuse, WindCap are **trademarks registered or pending** in Europe and in other countries. Further information will be found on the Internet at www.epcos.com/trademarks.

Release 2018-06