



Film Capacitors – Power Factor Correction

PFC DeltaCap X Black premium capacitors

Series/Type: MKD525-D-20.0-X
Ordering code: B32305A5202B025
Date: 13-12-2018
Version: 1

Preliminary data
Construction

- Dielectric: Polypropylene film
- Non-PCB, biodegradable soft resin
- Stacked winding
- Extruded round black painted aluminum can with stud
- Provided with integrated discharge resistors

Features

- Three-phase, internal delta connection
- Double safety system:
 - overpressure disconnecter,
 - self-healing technology
- Naturally air cooled (or forced air cooling)
- Indoor mounting


Typical applications

- For Power Factor Correction

Terminals

- Screw clamps terminals M6
- Max. torque: 3.5 Nm

Mounting

- Threaded stud at bottom of can
(max. torque for M12 = 10 Nm)

Technical data and specifications

Characteristics		
Rated capacitance C_R	3 • 77 μ F	
Tolerance	-5 / +5%	
Connection	D (Delta)	
Rated voltage V_R	525 V AC	
Rated frequency f_R	50 Hz	60 Hz
Output	20 kvar	24 kvar
Rated current I_R	22.0 A	26.4 A

Preliminary data

Maximum ratings	
V_{max}	$V_R + 10\%$ (up to 8 h daily) / $V_R + 15\%$ (up to 30 min daily) / $V_R + 20\%$ (up to 5 min daily) / $V_R + 30\%$ (up to 1 min daily)
I_{max}	Up to $1.5 \cdot I_R$ (A) (including combined effects of harmonics, over voltages and capacitance tolerance)
I_s	Up to $500 \cdot I_R$ (A) Detail refer to capacitor operation condition below

Capacitor operation condition		
I_s	Switching operation/ year	Total switching operation of capacitor
$500 I_R$	1000	35 000
$400 I_R$	6200	211 000
$300 I_R$	62 000	2 100 000
Power dissipation (without discharge resistors)	≤ 0.2 W/kvar (dielectric) and ≤ 0.5 W/kvar (total)	

Test data		
V_{TT}	$2.15 \cdot V_R$, 2 s	With tolerance ± 50 V AC
V_{TC}	3000 V AC, 10 s	
* $\tan \delta$ (50 Hz at rate voltage)	$\leq 0.5 \cdot 10^{-3}$	
* $\tan \delta$ at 1KHZ	$\leq 5.0 \cdot 10^{-3}$	

* Without discharge resistor

Climatic category –40/D	
T_{min}	-40 °C
T_{max}	+65 °C
T_{max} Hotspot	+85 °C
Storage temperature	-40 °C ... +85 °C
Humidity	Av. rel. < 95%
Maximum altitude	4000 m Detail refer to derating chart

Mean life expectancy
Up to 300 000 hours at temperature class -40/55 ⁽¹⁾
Up to 200 000 hours at temperature class -40/60 ⁽¹⁾
Up to 100 000 hours at temperature class -40/65 ⁽¹⁾

Preliminary data

Temperature class ⁽¹⁾	Ambient temperature		
	Maximum	Highest mean over any period of	
		24h	1 year
-40/55	55 °C	45 °C	35 °C
-40/60	60 °C	50 °C	40 °C
-40/65	65 °C	55 °C	45 °C

Design data

Dimensions (d x h)	136×200 mm
Weight approx	3.6 kg
Impregnation	Non PCB, resin filling: soft polyurethane resin
Fixing	Threaded bolt M12
Max. torque (Al can stud)	10 Nm
Mounting position	Preferably in vertical position, horizontal position possible. See "Maintenance and Installation Manual" for further details.

Terminals

Protection degree	IP20
Terminal cross section	35 mm ²
Maximum terminal current	100 A
Creepage distance (min)	19.1 mm
Clearance distance (min)	19.1 mm

Safety

Mechanical safety	Overpressure disconnecter
Max. short circuit current	(AFC: 10 kA according UL 810 standard) UL file E489229
Discharge resistor time	≤ 60 s to 75 V or less

Reference standards

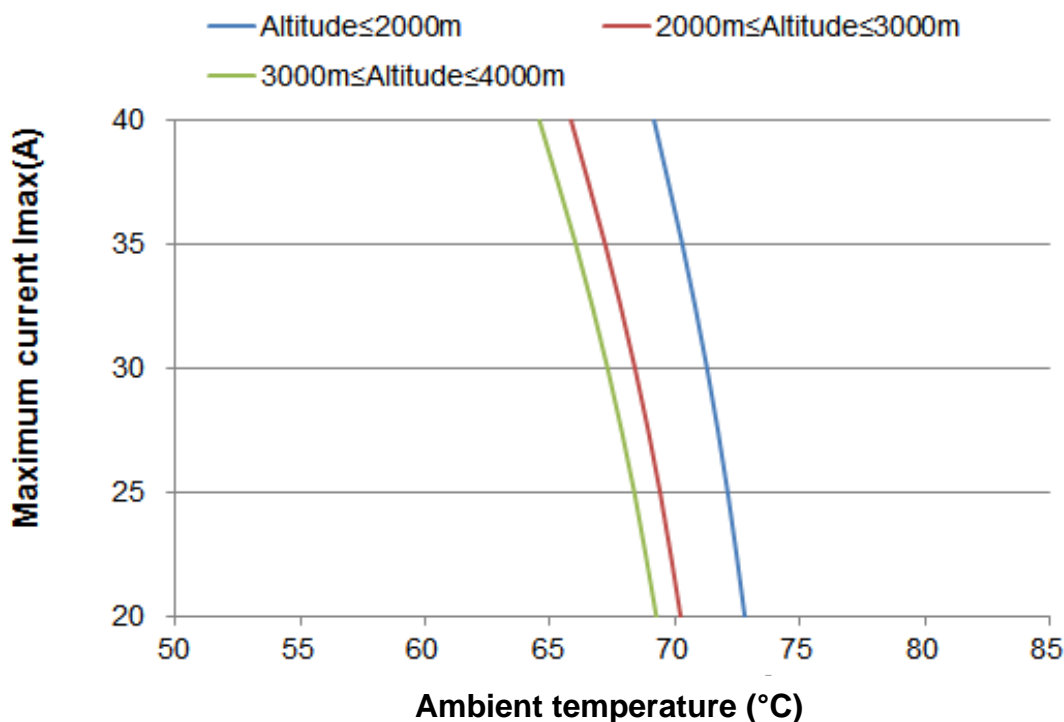
 IEC 60831–1/2(2014) and UL 810 5th edition

Preliminary data

Current derating curve

Current derating according maximum altitudes

$\Theta_{hs}=85^{\circ}\text{C}$ / Natural convection



Label design

Power Quality Solutions
DeltaCap™ X Black Premium
 MKD525-D-20.0-X
B32305A5202B025

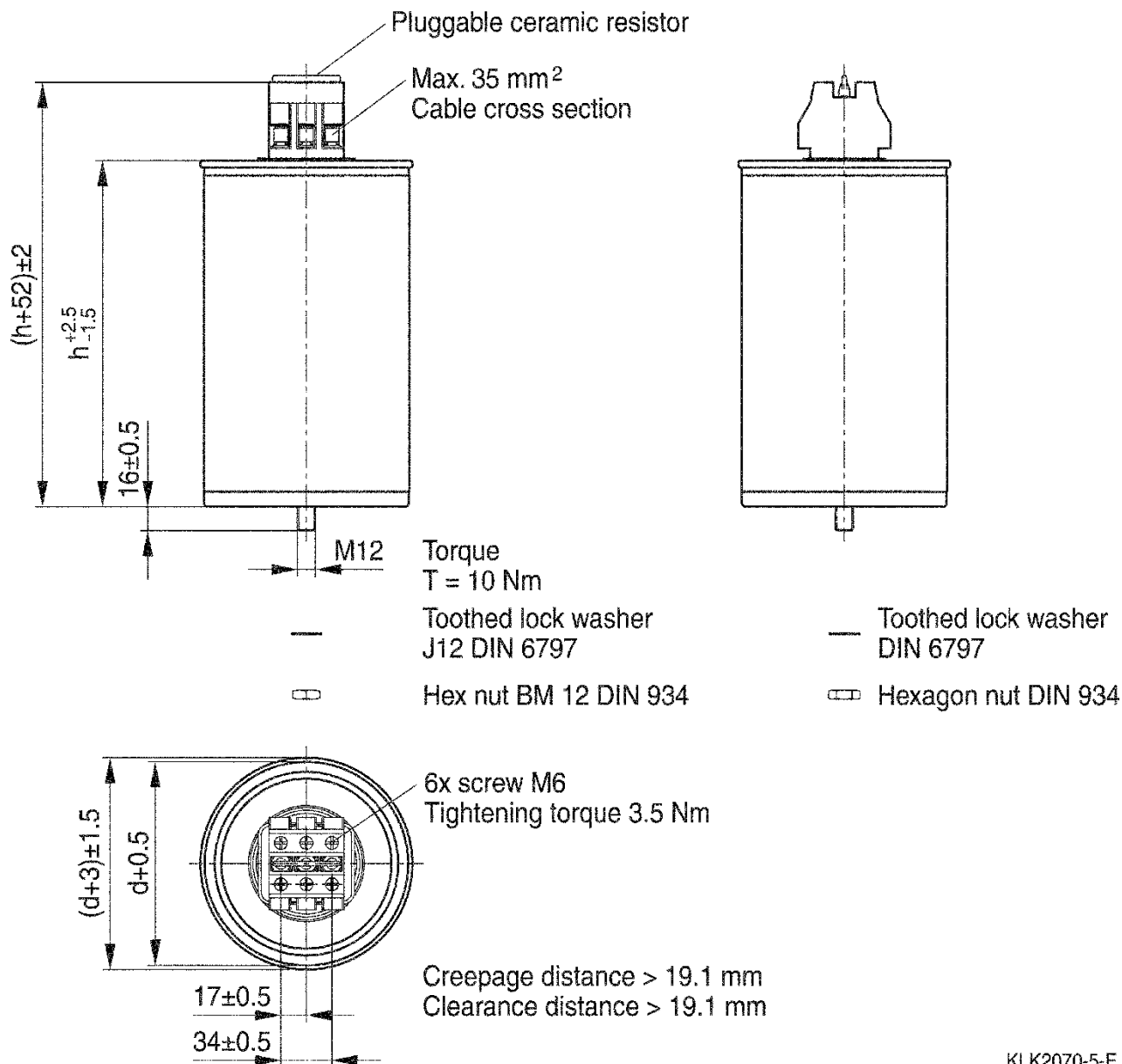
$3 \times 77 \mu\text{F}$	$\Delta -5+5\%$	SH
U_N	$Q_N/50\text{HZ}$	$Q_N/60\text{HZ}$
525V~	20.0 Kvar	24.0 Kvar
480V~	16.7 Kvar	20.1 Kvar
440V~	14.0 Kvar	16.8Kvar

$U_i=3/8\text{Kv}$ IEC60831-1:2014
 -40/D IEC60831-2:2014

CE

Protected 10K AFC Non PCB
 Overpressure disconnecter
Made by EPCOS 20 Z 2018
 Discharge before handling

12345678901

Preliminary data
Dimensional drawings B32305A series


KLK2070-5-E

Specification table

Type	50 Hz		60 Hz		C _R μF	D × H mm	Weight kg	Ordering code	Packing unit pcs
	Output kvar	I _R A	Output kvar	I _R A					
Rated voltage 440 V AC, 50/60 Hz, delta connection									
MKD525-D-20.0-X	20.0	22.0	24.0	26.4	3 x 77	136 x 200	3.6	B32305A5202B025	4

Preliminary data

Cautions and warnings

- In case of dents of more than 1 mm depth or any other mechanical damage, capacitors must not be used at all.
- This applies also in cases of oil leakages.
- To ensure the full functionality of the overpressure disconnecter, elastic elements must not be hindered and a minimum space of 12 mm has to be kept above each capacitor.
- Do not handle the capacitor before it is discharged.
- Resonance cases must be avoided by appropriate application design in any case.
- Handle capacitors carefully, because they may still be charged even after disconnection due to faulty discharging devices.
- Protect the capacitor properly against over current and short circuit.
- Failure to follow cautions may result, worst case, in premature failures, bursting and fire.

Discharging

Capacitors must be discharged to a maximum of 10% of rated voltage before they are switched in again. This prevents an electric impulse discharge in the application, influences the capacitor's service life and protects against electric shock. The capacitor must be discharged to 75 V or less within 3 minutes. There must be not any switch, fuse or any other disconnecting device in the circuit between the power capacitor and the discharging device. DeltaCap capacitors are delivered with discharge resistor included; alternatively discharge reactors are available from TDK. Discharge and short circuit capacitor before handling!

Service life expectancy

Electrical components do not have an unlimited service life expectancy; this applies to self-healing capacitors too. The maximum service life expectancy may vary depending on the application the capacitor is used in.

Safety

Electrical or mechanical misapplication of capacitors may be hazardous. Personal injury or property damage may result from bursting of the capacitor or from expulsion of oil or melted material due to mechanical disruption of the capacitor.

- Ensure good, effective grounding for capacitor enclosures.
- Provide means of disconnecting and insulating a faulty component/bank.
- The terminals of capacitors, connected bus bars and cables as well as other devices may also be energized.
- Follow good engineering practice.

Thermal load/over-temperature

After installation of the capacitor it is necessary to verify that maximum hot-spot temperature is not exceeded at extreme service conditions.

Preliminary data

Overpressure disconnecter

To ensure full functionality of an overpressure disconnecter, the following must be observed:

1. The elastic elements must not be hindered, i.e.
 - Connecting lines must be flexible leads (cables).
 - There must be sufficient space (min. 12 mm) for expansion above the connections. This will enable a longitudinal extension of the can to secure the overpressure disconnecter work.
 - Folding beads must not be retained by clamps.
2. The maximum allowed fault current of 10000 A in accordance with UL 810 standard must be assured by the application.
3. Stress parameters of the capacitor must be within the IEC60831 specification.

Overcurrent and short circuit protection

- Use HRC fuses or MCCBs for short circuit protection. Short circuit protection and connecting cables should be selected so that 1.5 times the rated capacitor current can be permanently handled.
- HRC fuses do not protect a capacitor against overload – they are only for short circuit protection.
- The HRC fuse rating should be 1.6 to 1.8 times rated capacitor current.
- Do not use HRC fuses to switch capacitors (risk of arcing).
- Use thermal magnetic over current relays for overload protection.

Resonance cases

Resonance cases must be avoided by appropriate application design in any case. Maximum total RMS capacitor current (incl. fundamental harmonic current) specified in technical data must not be exceeded.

Re-switching vs. phase-opposition

In case of voltage interruption, a sufficient discharge time has to be ensured to avoid phase-opposition and resulting high inrush currents.

Vibration resistance

The resistance to vibration of capacitors corresponds to IEC 68, part 2–6.

Max. test conditions:

Test duration	6 h*
Frequency range 1	10 ... 55 Hz*
Displacement amplitude	0.75 mm*

*corresponding to max. 98.1 m/s or 10 g

Preliminary data

These figures apply to the capacitor alone. Because the fixing and the terminals may influence the vibration properties, it is necessary to check stability when a capacitor is built in and exposed to vibration. Irrespective of this, you are advised not to locate capacitors where vibration amplitude reaches the maximum in strongly vibrating equipment.

Mechanical protection

The capacitor has to be installed in a way that mechanical damages and dents in the aluminium can are avoided.

Grounding

The threaded bottom stud of the capacitor has to be used for grounding. In case grounding is done via metal chassis that the capacitor is mounted to, the layer of varnish beneath the washer and nut should be removed. The maximum tightening torque is 12 Nm.

Maintenance

- Check tightness of the connections/terminals periodically.
- Take current reading twice a year and compare with nominal current. Use a harmonic analyser or true effective RMS-meter.
- In case of current above the nominal current check your application for modifications.
- If a significant increase in the amount of non-linear loads has been detected, then a consultant has to be called in for a harmonic study.
- In case of the presence of harmonics installation of a de-tuned capacitor bank (reactors) must be considered.
- Check the discharge resistors/reactors and in case of doubt, check their function:
 - (1) Power the capacitor up and down.
 - (2) After ≤ 60 seconds the voltage between the terminals must decline to less than 75 V.
- Check the temperature of capacitors directly after operation for a longer period, but make sure that the capacitors have been switched off. In case of excessive temperature of individual capacitors, it is recommended to replace these capacitors, as this should be an indication for loss factor increase, which is a sign for reaching end of life.

Storage and operating conditions

Do not use or store capacitors in corrosive atmosphere, especially where chloride gas, sulfide gas, acid, alkali, salt or the like are present. In dusty environments regular maintenance and cleaning especially of the terminals is required to avoid conductive path between phases and/or phases and ground.

Note

For detailed information about PFC capacitors and cautions, refer to the latest version of the PFC Product Profile.

Preliminary data

Display of ordering codes for TDK Electronics products

The ordering code for one and the same product can be represented differently in data sheets, data books, other publications, on the company website, or in order-related documents such as shipping notes, order confirmations and product labels. **The varying representations of the ordering codes are due to different processes employed and do not affect the specifications of the respective products.** Detailed information can be found on the Internet under www.tdk-electronics.tdk.com/orderingcodes.

Important notes

The following applies to all products named in this publication:

1. Some parts of this publication contain **statements about the suitability of our products for certain areas of application**. These statements are based on our knowledge of typical requirements that are often placed on our products in the areas of application concerned. We nevertheless expressly point out **that such statements cannot be regarded as binding statements about the suitability of our products for a particular customer application**. As a rule we are either unfamiliar with individual customer applications or less familiar with them than the customers themselves. For these reasons, it is always ultimately incumbent on the customer to check and decide whether a product with the properties described in the product specification is suitable for use in a particular customer application.
2. We also point out that in individual cases, a malfunction of electronic components or failure before the end of their usual service life cannot be completely ruled out in the current state of the art, even if they are operated as specified. In customer applications requiring a very high level of operational safety and especially in customer applications in which the malfunction or failure of an electronic component could endanger human life or health (e.g. in accident prevention or life-saving systems), it must therefore be ensured by means of suitable design of the customer application or other action taken by the customer (e.g. installation of protective circuitry or redundancy) that no injury or damage is sustained by third parties in the event of malfunction or failure of an electronic component.
3. The warnings, cautions and product-specific notes must be observed.
4. In order to satisfy certain technical requirements, some of the products described in this publication may contain substances subject to restrictions in certain jurisdictions (e.g. because they are classed as hazardous). Useful information on this will be found in our Material Data Sheets on the Internet (www.tdk-electronics.tdk.com/material). Should you have any more detailed questions, please contact our sales offices.
5. We constantly strive to improve our products. Consequently, **the products described in this publication may change from time to time**. The same is true of the corresponding product specifications. Please check therefore to what extent product descriptions and specifications contained in this publication are still applicable before or when you place an order.

We also **reserve the right to discontinue production and delivery of products**. Consequently, we cannot guarantee that all products named in this publication will always be available. The aforementioned does not apply in the case of individual agreements deviating from the foregoing for customer-specific products.

6. Unless otherwise agreed in individual contracts, all orders are subject to our General Terms and Conditions of Supply.
7. **Our manufacturing sites serving the automotive business apply the IATF 16949 standard**. The IATF certifications confirm our compliance with requirements regarding the quality management system in the automotive industry. Referring to customer requirements and customer specific requirements ("CSR") TDK always has and will continue to have the policy of respecting individual agreements. Even if IATF 16949 may appear to support the acceptance of unilateral requirements, we hereby like to emphasize that **only requirements mutually agreed upon can and will be implemented in our Quality Management System**. For clarification purposes we like to point out that obligations from IATF 16949 shall only become legally binding if individually agreed upon.

Important notes

8. The trade names EPCOS, CeraCharge, CeraDiode, CeraLink, CeraPad, CeraPlas, CSMP, CTVS, DeltaCap, DigiSiMic, ExoCore, FilterCap, FormFit, LeaXield, MiniBlue, MiniCell, MKD, MKK, MotorCap, PCC, PhaseCap, PhaseCube, PhaseMod, PhiCap, PowerHap, PQSine, PQvar, SIFERRIT, SIFI, SIKOREL, SilverCap, SIMDAD, SiMic, SIMID, SineFormer, SIOV, ThermoFuse, WindCap are **trademarks registered or pending** in Europe and in other countries. Further information will be found on the Internet at www.tdk-electronics.tdk.com/trademarks.

Release 2018-10