



Film Capacitors – AC Capacitors

DC link Capacitors

Series/Type: Plastic round DC capacitor
Ordering code: B32320I2656J011
Date: 2017-07-24
Version: 1

© EPCOS AG 2017. Reproduction, publication and dissemination of this publication, enclosures hereto and the information contained therein without EPCOS' prior express consent is prohibited.

EPCOS AG is a TDK Group Company.

Construction

- Metallized polypropylene film
- Plastic can with resin top
- Dry type resin

Features

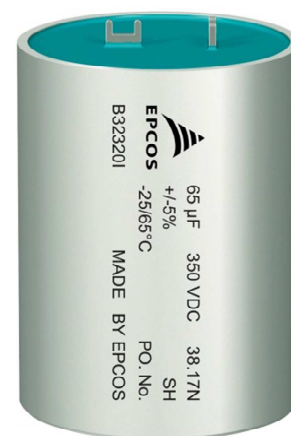
- Self-healing properties
- Low dissipation factor
- Low R_S
- Safety protection with thermal fuse fitted inside the capacitor
- High insulation resistance

Applications

- Frequency converter DC link
- RF filter capacitor in DC link
- Inverter in home appliances

Terminals

- Brass tabs 5.5 x 0.6 mm for PCB mounting



Technical data and specifications	
Rated capacitance C_R	See table ordering codes, page 4
Tolerance	±5%
Rated voltage	350 V DC
R_S at 100 kHz	Typical 10 mΩ
Ripple current	Typical 3.7 A
Thermal cut off	Thermal fuse: 5 A, 250 V AC, +115 °C, fitted inside

Test data	
Withstand voltage between terminals	1.2 • rated voltage for 10 sec.
Withstand voltage between terminal to case	2 KVAC for 60 sec.
Dissipation factor $\tan \delta$ at +20 °C	≤ 40.0 • 10 ⁻³ (1K Hz)
Climatic data	
Lower category T_{min}	-25 °C
Upper category T_{max}	+65 °C

Mechanical and thermal properties of resin material

Flammability as per UL 94 V0 compatible

Compatibility to RoHS

Compliance to directive 2002/95/EC


Marking

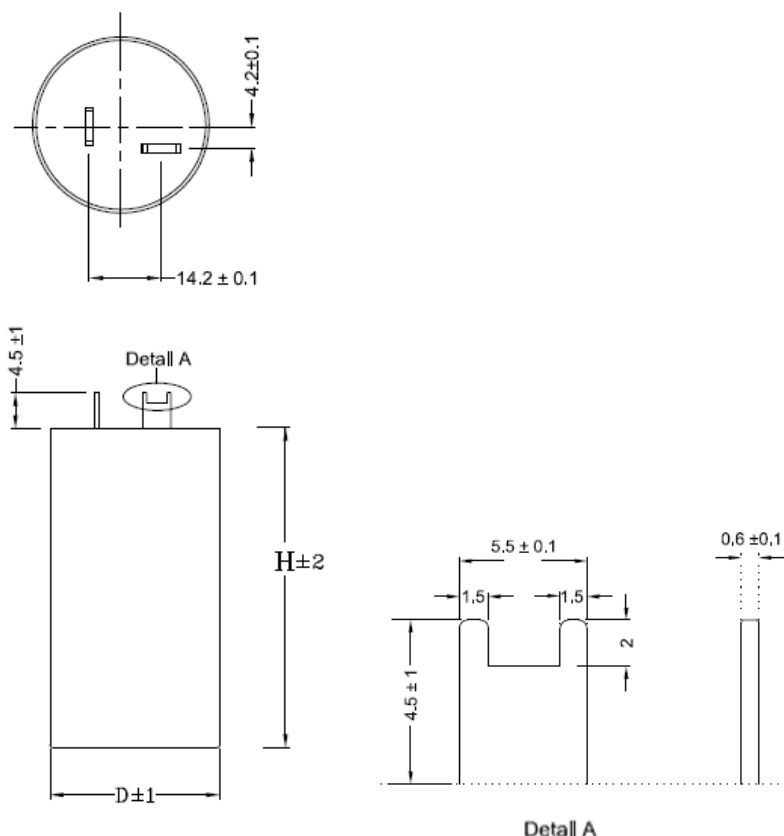

CxuF	VDC	WW.YYN
Tx %		SH
-25/65°C		PO. No.
B32320I	MADE	BY EPCOS

Marking nomenclature:

Cx	Rated capacitance
V DC	Rated DC voltage
Tx	Tolerance in %
SH	Self-healing type MPP capacitor
-25/86	Lower temperature limit -25°C Upper temperature limit +65°C
ww.yyN	Batch number/manufacturing week
PO. No.	Ordering code

Dimensional drawings

Terminal Pattern from Top side


Ordering code

Rated voltage V DC	C_R μF	Dimension mm		Packaging unit	Ordering code
		D	L		
350	65	40	58	170	B32320I2656J11

⚠ Please read “Applications warning, installation and maintenance instructions” and the “General Safety Data Sheet for Power Capacitors” issued by ZVEI, which are available on the internet at www.epcos.com/ac_capacitors, to ensure optimum performance and to prevent products from failing, and in worst case, bursting and fire. Information given in the data sheet reflects typical specifications. You are kindly requested to approve our product specifications or request our approval for your specification before ordering

Display of ordering codes for EPCOS products

The ordering code for one and the same EPCOS product can be represented differently in data sheets, data books, other publications, on the EPCOS website, or in order-related documents such as shipping notes, order confirmations and product labels. **The varying representations of the ordering codes are due to different processes employed and do not affect the specifications of the respective products.** Detailed information can be found on the Internet under www.epcos.com/orderingcodes

Important notes

The following applies to all products named in this publication:

1. Some parts of this publication contain **statements about the suitability of our products for certain areas of application**. These statements are based on our knowledge of typical requirements that are often placed on our products in the areas of application concerned. We nevertheless expressly point out **that such statements cannot be regarded as binding statements about the suitability of our products for a particular customer application**. As a rule we are either unfamiliar with individual customer applications or less familiar with them than the customers themselves. For these reasons, it is always ultimately incumbent on the customer to check and decide whether a product with the properties described in the product specification is suitable for use in a particular customer application.
2. We also point out that **in individual cases, a malfunction of electronic components or failure before the end of their usual service life cannot be completely ruled out in the current state of the art, even if they are operated as specified**. In customer applications requiring a very high level of operational safety and especially in customer applications in which the malfunction or failure of an electronic component could endanger human life or health (e.g. in accident prevention or life-saving systems), it must therefore be ensured by means of suitable design of the customer application or other action taken by the customer (e.g. installation of protective circuitry or redundancy) that no injury or damage is sustained by third parties in the event of malfunction or failure of an electronic component.
3. **The warnings, cautions and product-specific notes must be observed.**
4. In order to satisfy certain technical requirements, **some of the products described in this publication may contain substances subject to restrictions in certain jurisdictions (e.g. because they are classed as hazardous)**. Useful information on this will be found in our Material Data Sheets on the Internet (www.tdk-electronics.tdk.com/material). Should you have any more detailed questions, please contact our sales offices.
5. We constantly strive to improve our products. Consequently, **the products described in this publication may change from time to time**. The same is true of the corresponding product specifications. Please check therefore to what extent product descriptions and specifications contained in this publication are still applicable before or when you place an order.

We also **reserve the right to discontinue production and delivery of products**. Consequently, we cannot guarantee that all products named in this publication will always be available. The aforementioned does not apply in the case of individual agreements deviating from the foregoing for customer-specific products.
6. Unless otherwise agreed in individual contracts, **all orders are subject to our General Terms and Conditions of Supply**.
7. **Our manufacturing sites serving the automotive business apply the IATF 16949 standard**. The IATF certifications confirm our compliance with requirements regarding the quality management system in the automotive industry. Referring to customer requirements and customer specific requirements ("CSR") TDK always has and will continue to have the policy of respecting individual agreements. Even if IATF 16949 may appear to support the acceptance of unilateral requirements, we hereby like to emphasize that **only requirements mutually agreed upon can and will be implemented in our Quality Management System**. For clarification purposes we like to point out that obligations from IATF 16949 shall only become legally binding if individually agreed upon.
8. The trade names EPCOS, CeraCharge, CeraDiode, CeraLink, CeraPad, CeraPlas, CSMP, CTVS, DeltaCap, DigiSiMic, ExoCore, FilterCap, FormFit, LeaXield, MiniBlue, MiniCell, MKD, MKK, MotorCap, PCC, PhaseCap, PhaseCube, PhaseMod, PhiCap, PowerHap, PQSine, PQvar, SIFERRIT, SIFI, SIKOREL, SilverCap, SIMDAD, SiMic, SIMID, SineFormer, SIOV, ThermoFuse, WindCap are **trademarks registered or pending** in Europe and in other countries. Further information will be found on the Internet at www.tdk-electronics.tdk.com/trademarks.

Release 2018-10