



## Aluminum Electrolytic Capacitors New Snap-in ultra compact series

Compact design with improved  
high capacitance per volume

TDK Electronics AG

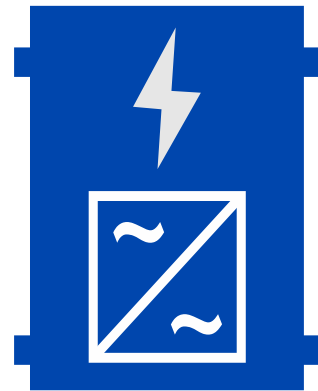
December, 2025

# Typical applications /2

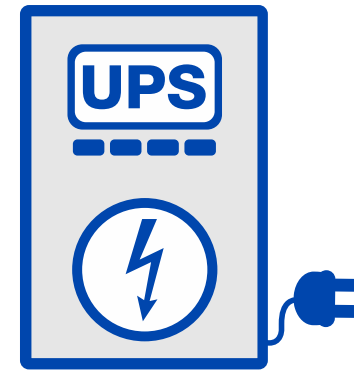
Power supplies



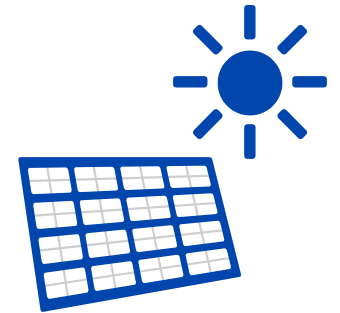
Frequency converters



UPS



Photovoltaic/ESS



# Design features

Ultra-compact design

High ripple current capability

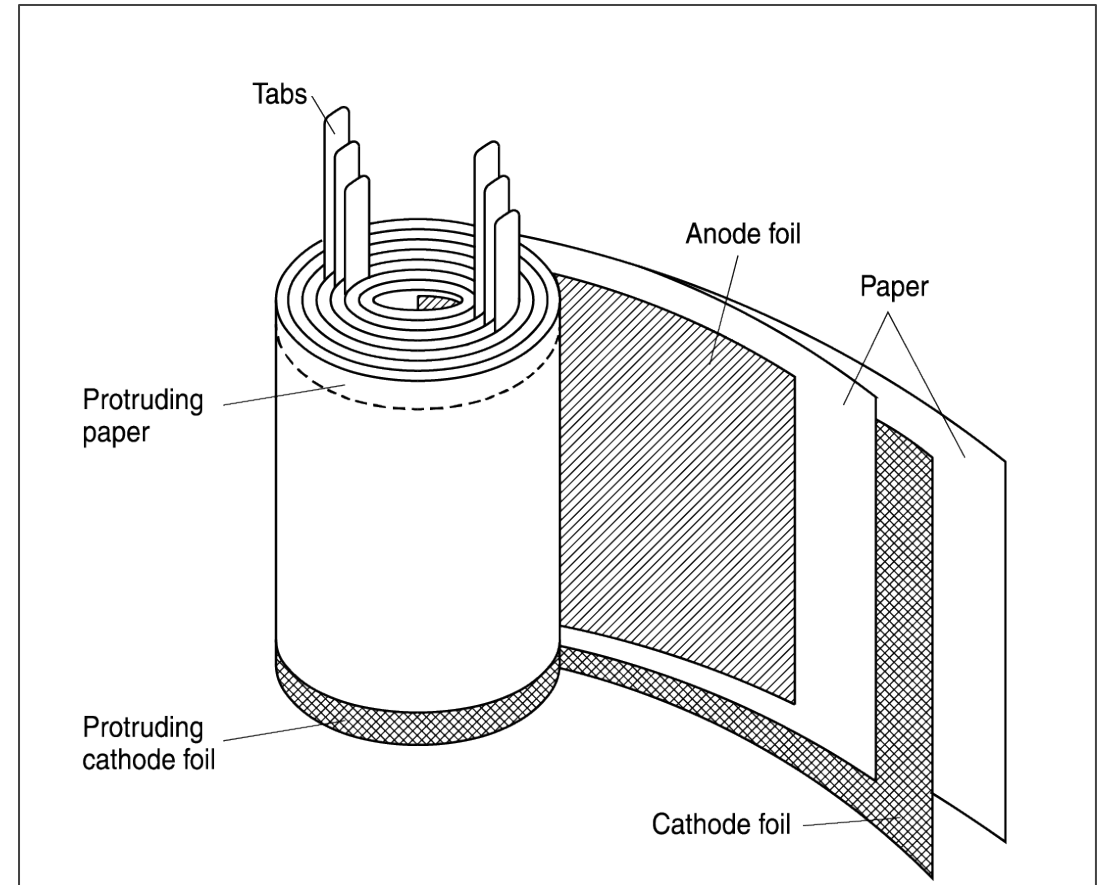
High reliability

RoHS-compatible



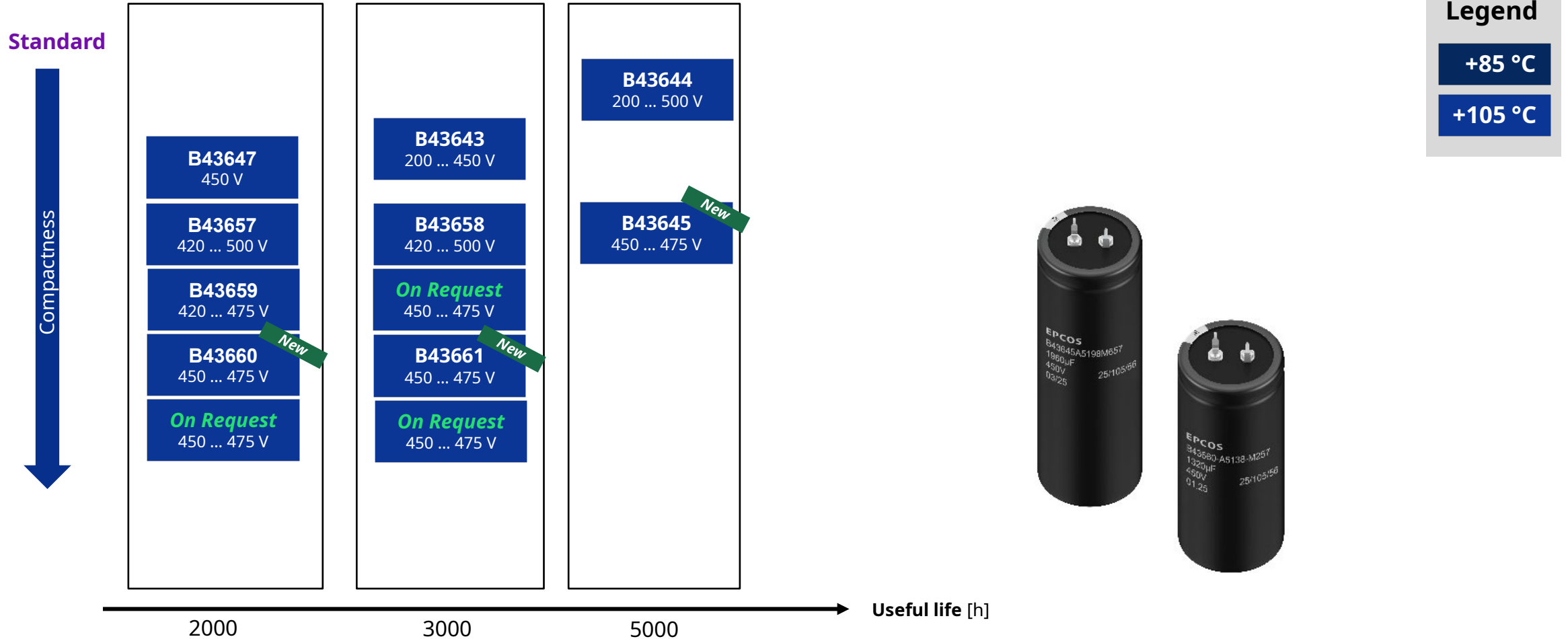
# Special features

- ▶ TDK inhouse-developed anode foil
- ▶ Highest surface capacitance increase
- ▶ Long-life oxide
- ▶ High-performance electrolyte



Example

# Product Snap-in Ultra-compact Capacitors



# Compact Snap-in product line Development roadmap

