



Sample Kit

# CLT Power Inductors

CLT32



[www.tdk-electronics.tdk.com](http://www.tdk-electronics.tdk.com)

## CLT Power Inductors – CLT32

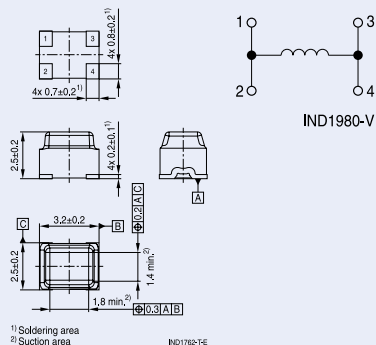
$L_R$	nH	17	42	55	80	110	150	200	310	440
$R_{DC, typ}$	m $\Omega$	0.39	1.0	1.0	1.9	1.9	3.3	3.3	5.3	7.6
$I_{sat, typ}$	A	60.0	54.0	39.5	36.0	29.0	25.4	20.5	17.5	13.5
$I_{temp, typ}$	A	45.0	28.0	28.0	20.0	20.0	15.4	15.4	12.1	10.1
Ordering code	CLT32-	17N	42N	55N	80N	R11	R15	R20	R31	R44

### Features

- Compact size
- High reliability
- High saturation current
- Ultra-low  $R_{DC}$
- Low losses
- Suitable for high frequencies up to 10 MHz
- Operating temperature up to 165 °C

### Applications

- PMIC systems in automotive electronics for main processors SoC/CPU/GPU/FPGA
- High frequency DC/DC converters



ADAS and AD systems place very high demands on the reliability of the components that are used. That is why TDK has developed the CLT32 product series for inductors used in power management units. This series is setting new standards with regards to reliability, miniaturization and electrical parameters.



**Important information:** It is incumbent on the customer to check and decide whether a product is suitable for use in a particular application. Our products are described in detail in our data sheets. Our *Important notes* and the product-specific *Cautions and warnings* must be observed. All relevant information is available through our sales offices.