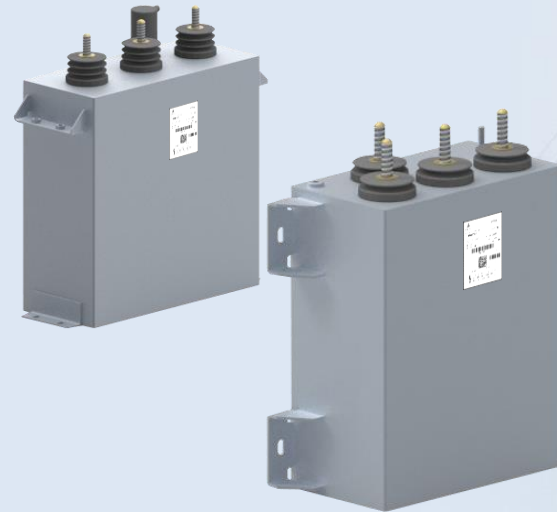


Attracting Tomorrow



# MKK HP capacitors

B25610 series



**TDK ELECTRONICS COMPONENTS S.A.U.**  
Aluminum & Film Capacitors Business Group  
Málaga, Spain  
November 2020

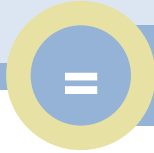
# Product portfolio



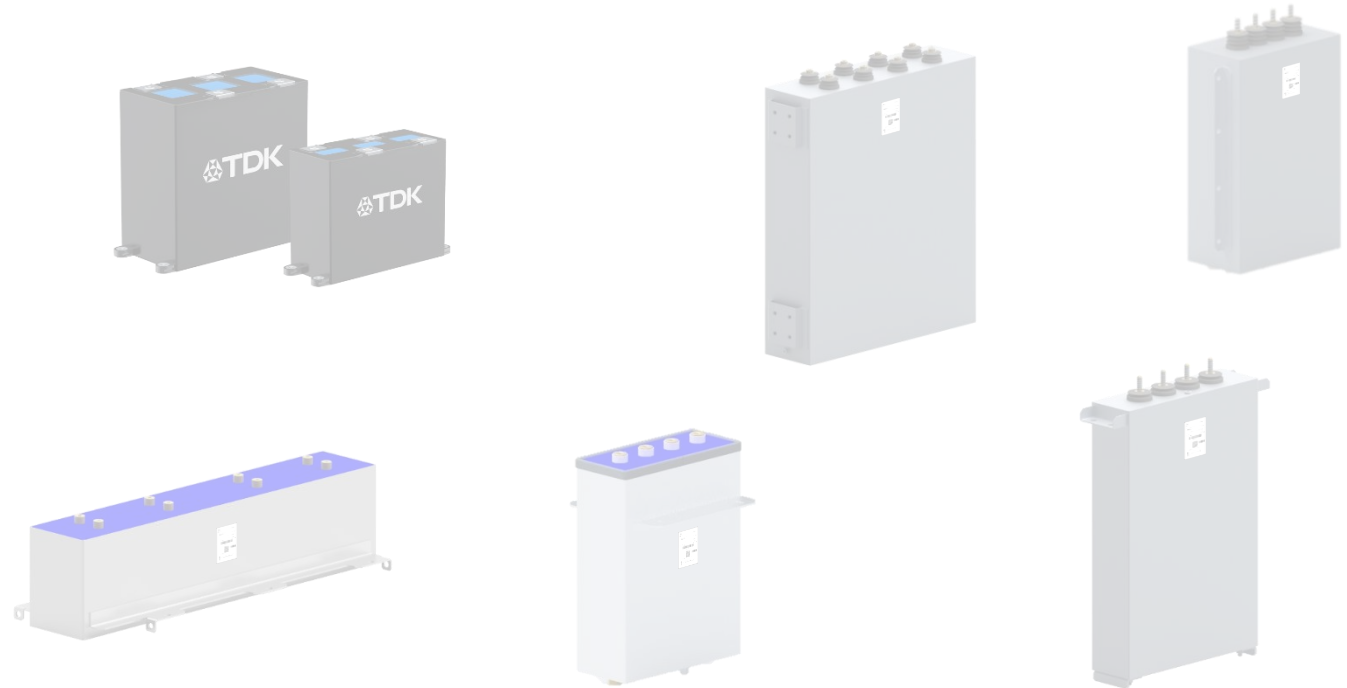
AC filter



MKK HP



DC link/DC filter



ModCap™

MKK DCR

MKK DCi-R

MKK DCi-H

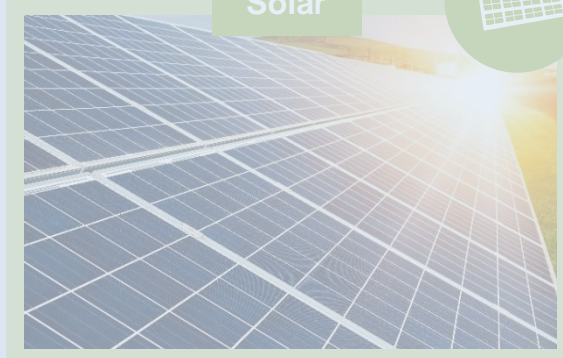
# DC link & DC filter applications

Energy transmission



Renewable energies

Solar

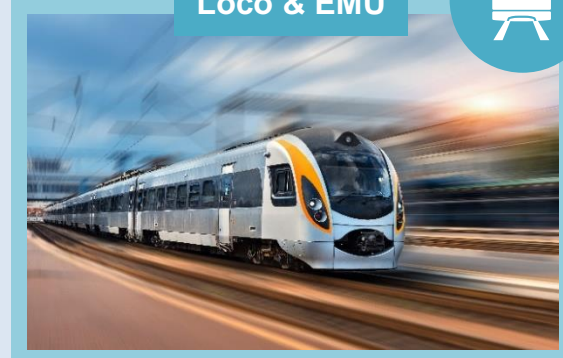


Wind

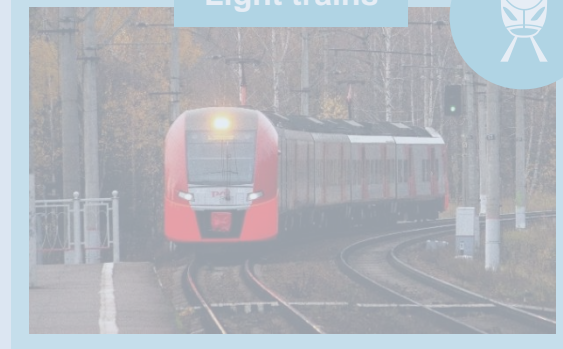


Traction

Loco & EMU



Light trains



Industry

LV



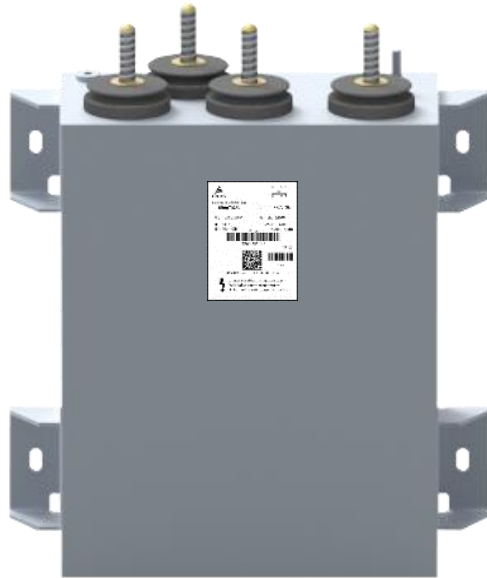
MV



# Key figures B25610 series

=

## MKK HP (dry)



Recommended applications

### Features

- Capacity range 3 x 200 to 3 x 3000  $\mu\text{F}$  and voltage 230 to 690 V AC
- Customized design for filters
- Temperature range up to 85 °C hotspot
- Impregnation with polyurethan resin
- IEC 61071, IEC 61881-1
- Filled with polyurethane resin (dry technology)
- Stainless steel case
- Flat windings

### Benefits

- 100% customized solution
- Hermetically sealed
- Ultra compact solution for filtering (customized)
- Life time up to 200,000 hours at hotspot temperature +85 °C
- Compatible with pressure switch device
- Design compatible with aggressive environmental conditions
- ANSYS™ simulations available upon request

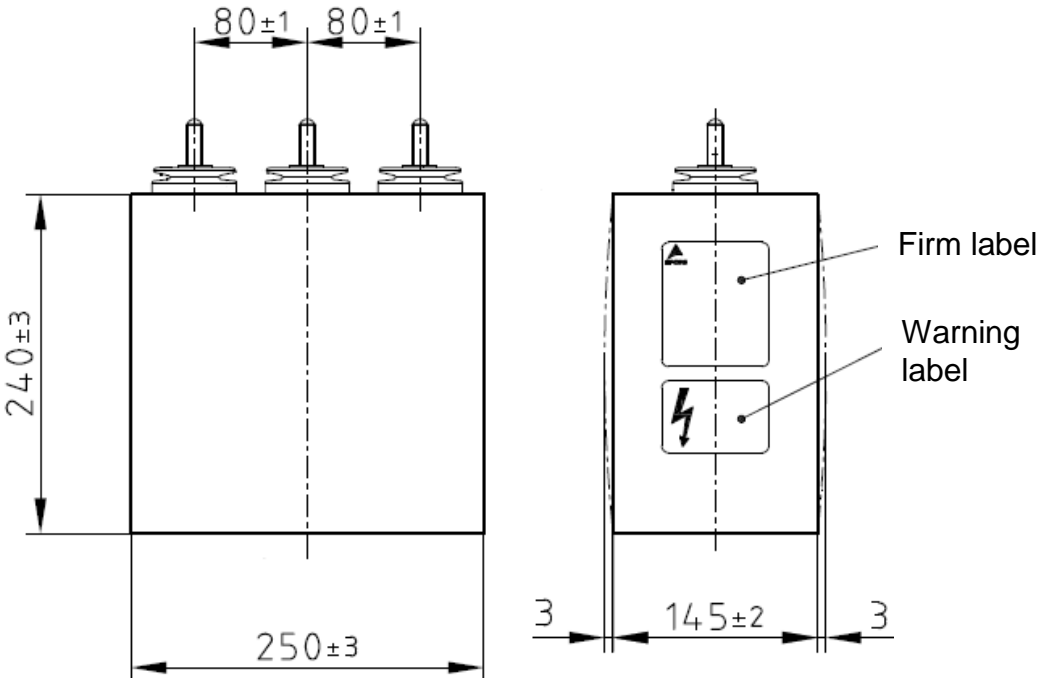
Get more info [here](#)



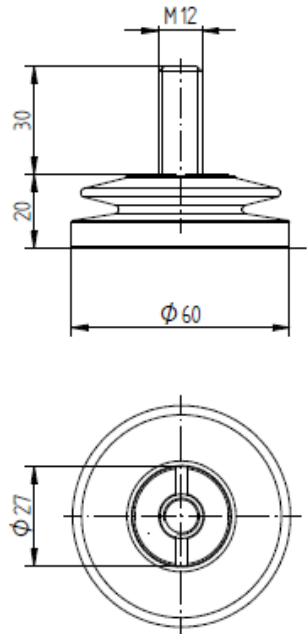
# Construction

## Simplified drawing: Example A

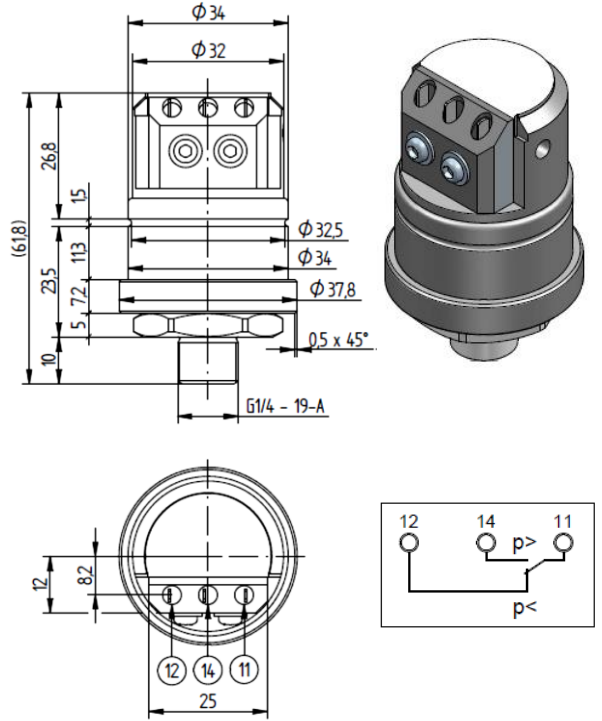
Main dimensions 250 x 145 x 240 mm



Terminal



Pressure switch







[www.tdk-electronics.tdk.com](http://www.tdk-electronics.tdk.com)