

Attracting Tomorrow



MKK DCR capacitors

Resin-filled technology
(sealed)

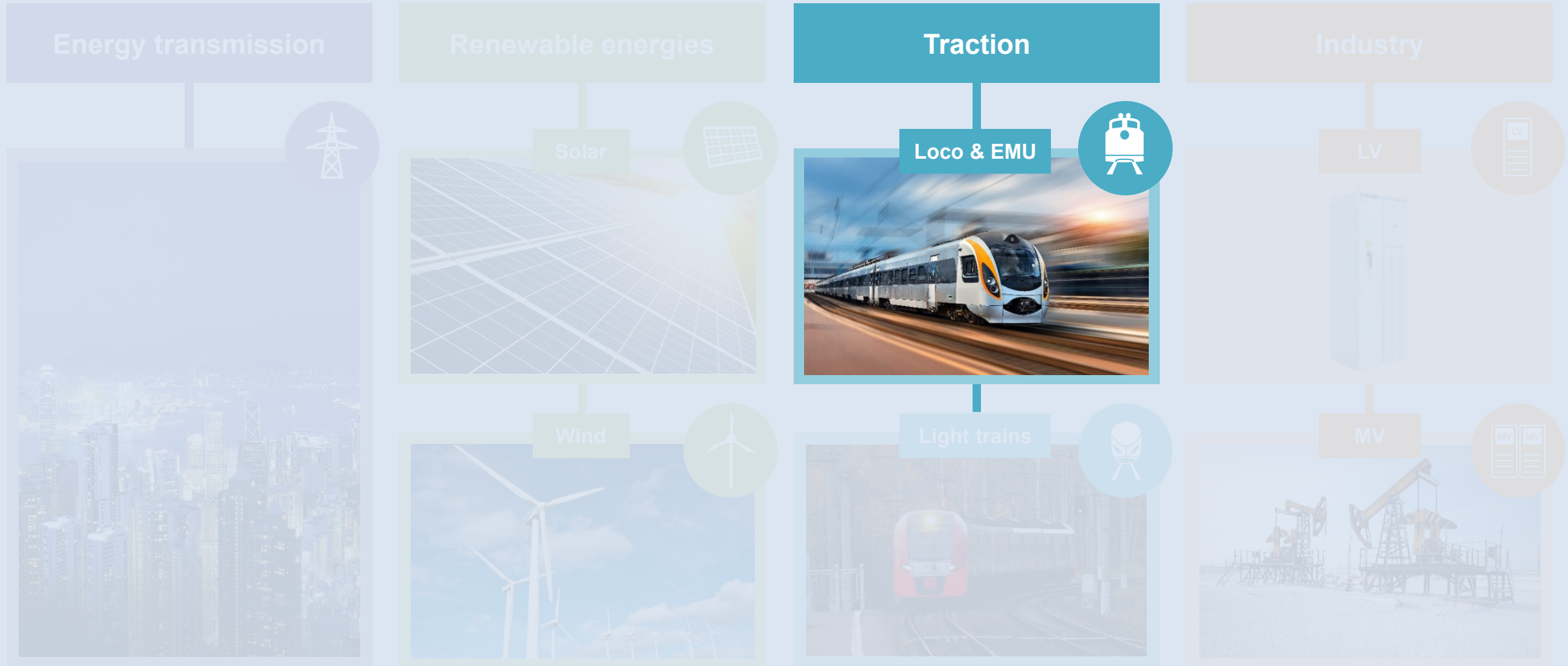
TDK ELECTRONICS COMPONENTS S.A.U.
Aluminum & Film Capacitors Business Group
Málaga, Spain
November 2020



Product portfolio



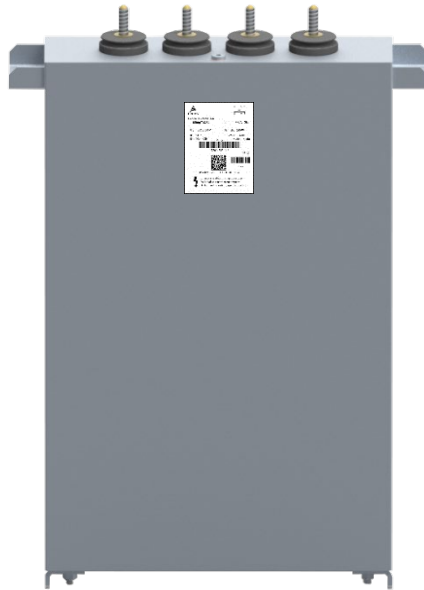
DC link & DC filter applications



Key figures B25641 series

=

MKK DCR (dry)



Recommended applications

Features

- Capacitance range 100 to 20,000 μF and voltage 700 to 4000 V DC
- Filled with polyurethane resin (dry technology)
- Temperature range up to 85 °C hotspot
- IEC 61071, IEC 61881-1
- Stainless steel case (sealed)
- Flat windings

Benefits

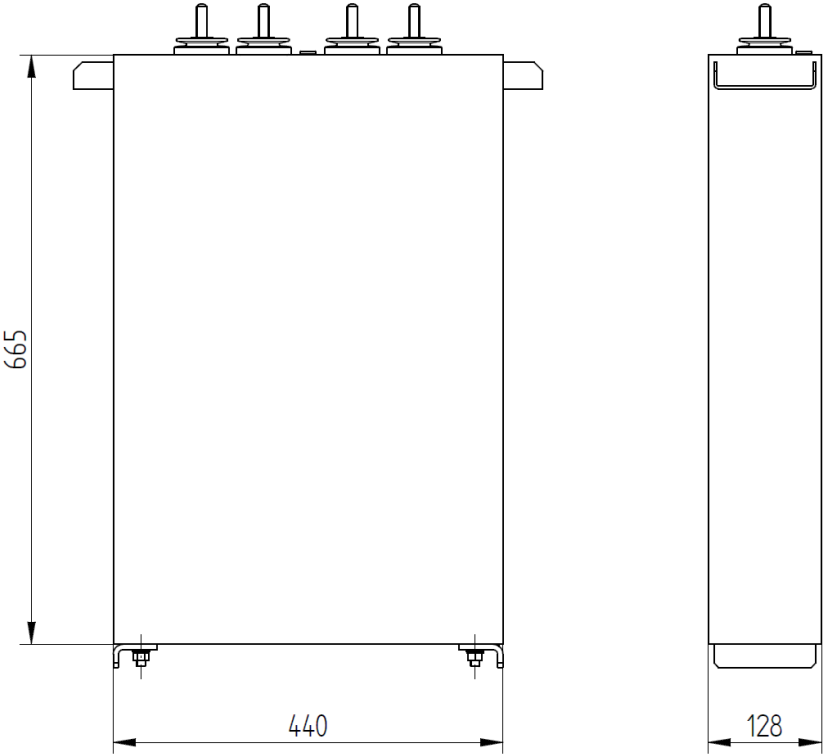
- 100% customized solution
- Hermetically sealed
- Compatible with pressure switch device
- Design compatible with aggressive environmental conditions
- Life time up to 200,000 hours at hotspot temperature +85 °C
- ANSYS™ simulations available upon request

Get more info [here](#)

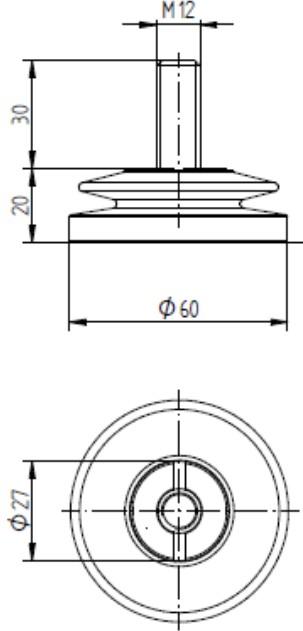
Construction

Simplified drawing: Example

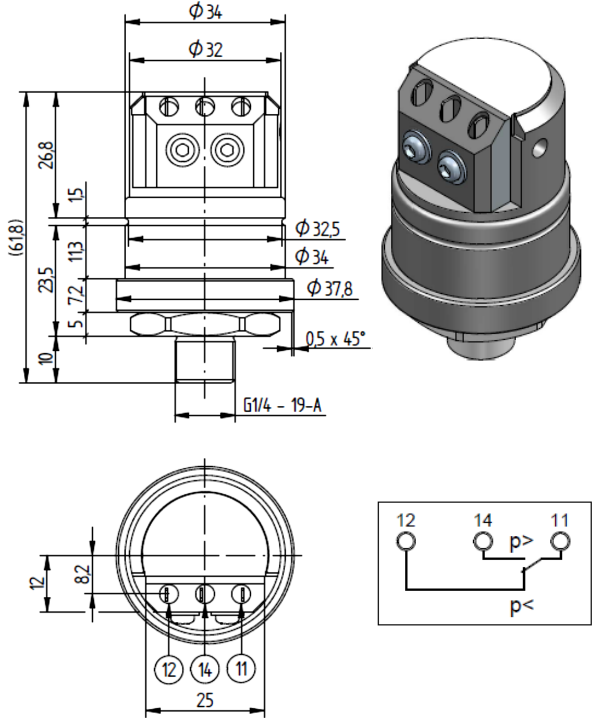
Main dimensions 685 x 172 x 885 mm



Terminal

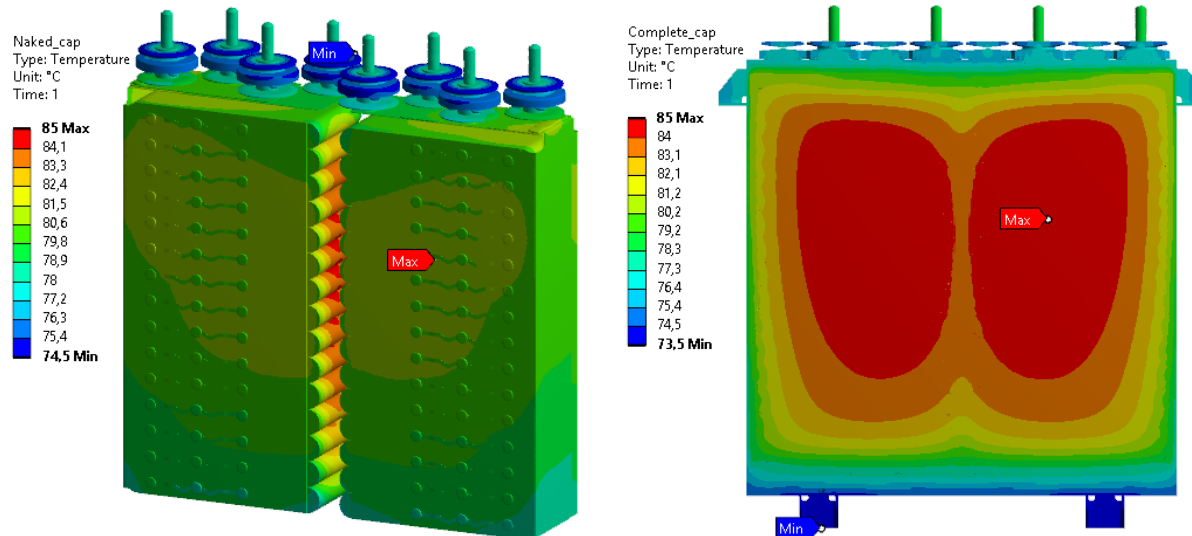


Pressure switch



Thermal & electromagnetic model: Simulation

Thermal: Hotspot and temperature mapping



Thermal model available for specific simulation according to spectrum and boundary conditions defined by the customer.

Electromagnetic

Customer input

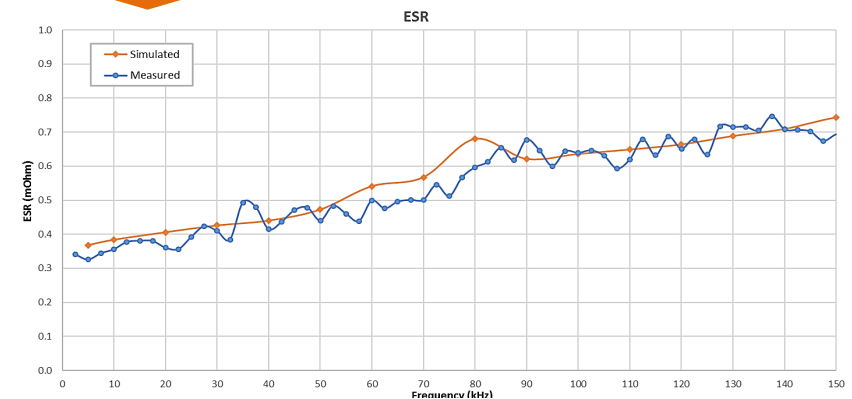
- AC current spectrum
- Boundary conditions

TDK input

- 3D model
- Electrical parameters of the capacitor (capacitor design)

Simulation

- ESR vs freq graph





www.tdk-electronics.tdk.com