

Film Capacitors

Typical applications

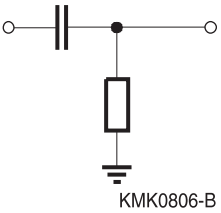
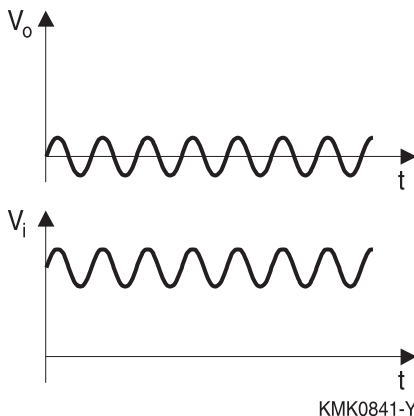
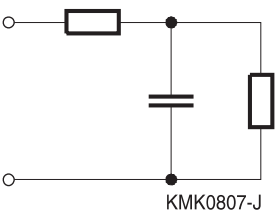
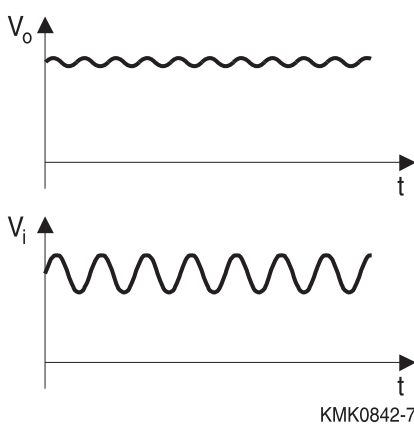
Date: June 2018

© EPCOS AG 2018. Reproduction, publication and dissemination of this publication, enclosures hereto and the information contained therein without EPCOS' prior express consent is prohibited.

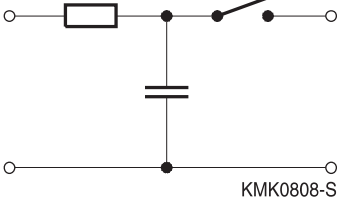
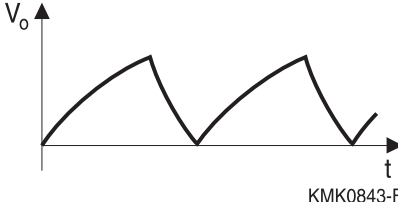
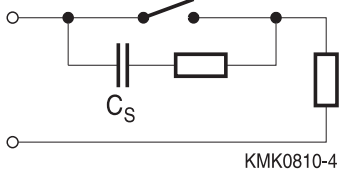
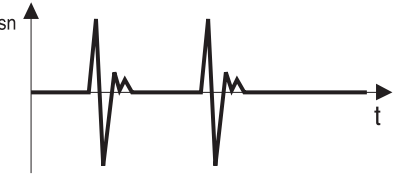
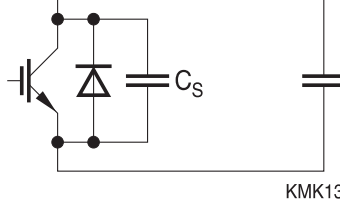
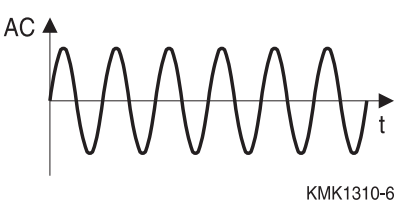
EPCOS AG is a TDK Group Company.

Typical applications

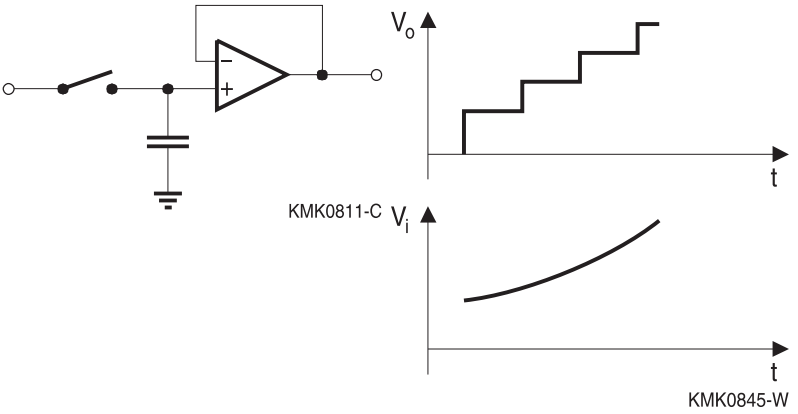
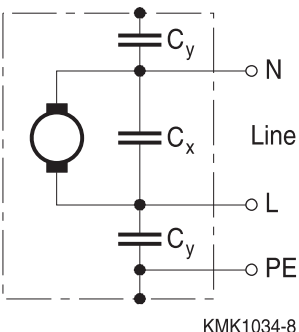
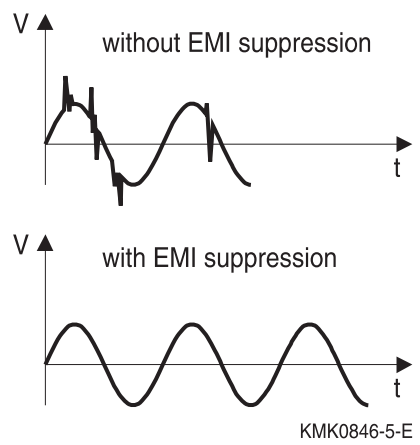
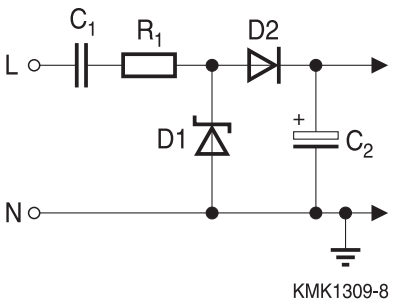
Typical applications of film capacitors

Application	Requirements	Series
Blocking / Coupling		
 <p>KMK0806-B</p>  <p>KMK0841-Y</p> <p>The capacitor acts as a high-pass filter:</p> <ul style="list-style-type: none"> - Preventing DC voltages (blocking) - Transferring only the AC load (coupling) 	High R_{ins} Low L_S	MKT B32520 ... 529 B32560 ... 564
Bypass / Decoupling / DC link / Smoothing		
 <p>KMK0807-J</p>  <p>KMK0842-7</p> <p>The capacitor acts as a low-pass filter, preventing the transmission of AC voltages, suppressing fast transient changes and providing enough energy to the load.</p>	High R_{ins} Low L_S	MKT B32520 ... 529 B32560 ... 564 MKP B32651... 658 B32671P ... 673P B32671Z ... 676Z B32674 ... 678 B32774 ... 778 B32774H ... 778H B32774P ... 778P

Typical applications

Application	Requirements	Series
Timing / Energy storage / Ignition		
  <p>The capacitor stores a charge until a specific amount of time (time delay) has elapsed. The capacitor stores a charge and then releases it in a short energetic pulse.</p>	<p>Good pulse characteristics</p>	<p>MKP B32620 ... 621 B32651 ... 658 B32671P ... 673P B32671Z ... 676Z B32674 ... 678 B32774 ... 778 B32774H ... 778H B32774P ... 778P</p> <p>MFP B32682 ... 686</p> <p>MKT B32560 ... 564 B32572 ... 573</p>
Snubbing / Resonant		
   	<p>Low $\tan \delta$ Good pulse characteristics</p>	<p>MKP B32651 ... 658 B32656S ... 658S B32671L ... 672L B32641B ... 643B</p> <p>MFP B32686S B32682 ... 686</p>
<p>C_S (Snubber): Capacitor protects semiconductors from over-voltages by high current switching. C_R (Resonant): LC system oscillates at a certain frequency.</p>		

Typical applications

Application	Requirements	Series
Sample and hold		
 <p>The capacitor stores a voltage until a sample is taken.</p>	<p>High R_{ins} Low dielectric absorption</p>	<p>MKP B32656S ... 658S MFP B32686S</p>
EMI suppression		
  <p>A capacitor/resistor network on the input of a device suppresses external noise pulses that could damage its components.</p>	<p>Low flammability</p>	<p>MKP B32921C/D ... 928C/D B32922H/J ... 926H/J B32924*4 ... 926*4 B32911*3 ... 916*3 B32912*5 ... 918*5 B32021 ... 026 B32032 ... 036 B81123</p>
Capacitive power supply		
 <p>The capacitor C1 works as a voltage divider without thermal losses.</p>	<p>High capacitance stability</p>	<p>MKP/MKT B32651... 658 B32932 ... 936 B32922H/J ... 926H/J B32924*4 ... 928*4</p>