



# Aluminum electrolytic capacitors

## Snap-in capacitors

**Series/Type:**      **Base cooling**  
**Date:**              December 2019

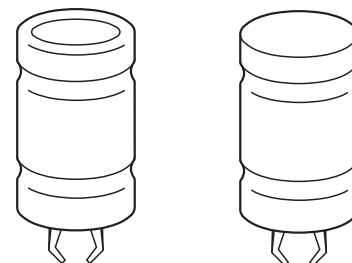
## Snap-in capacitors for base cooling

### Applications

- Frequency converters or power supplies with heat sink
- DC links with ultra high ripple current load per capacitance, extra long useful life or superior reliability requirements.

### Features

- Reduced overall length tolerance ( $\pm 0.2$  mm) for effective heat sink mounting of capacitor banks
- Suited for use of thin thermal pads
- Minimized and long term low thermal resistances between base and winding
- Extremely high ripple current load and long useful life
- Outstanding low ESR at operating conditions above 50 °C
- Available upon request for different 85 °C and 105 °C series
- Available for case sizes with diameters of 30 to 35 mm and lengths of 35 to 55 mm
- Capacitors with all insulation versions pass the needle flame test according to IEC 60695-11-5 for all flame exposure times up to 120 s
- RoHS-compatible



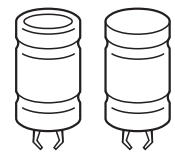
### Construction

- Charge/discharge-proof, polar
- Reinforced aluminum can with long term rigidity
- Standard insulation: PET sleeve without insulation sheet at the can bottom
- Version without insulation available
- Snap-in solder pins to hold component in place on PC-board
- Minus pole marking on case surface (insulated version only)
- Minus pole not insulated from case
- Overload protection by safety vent on the case wall

### Terminals

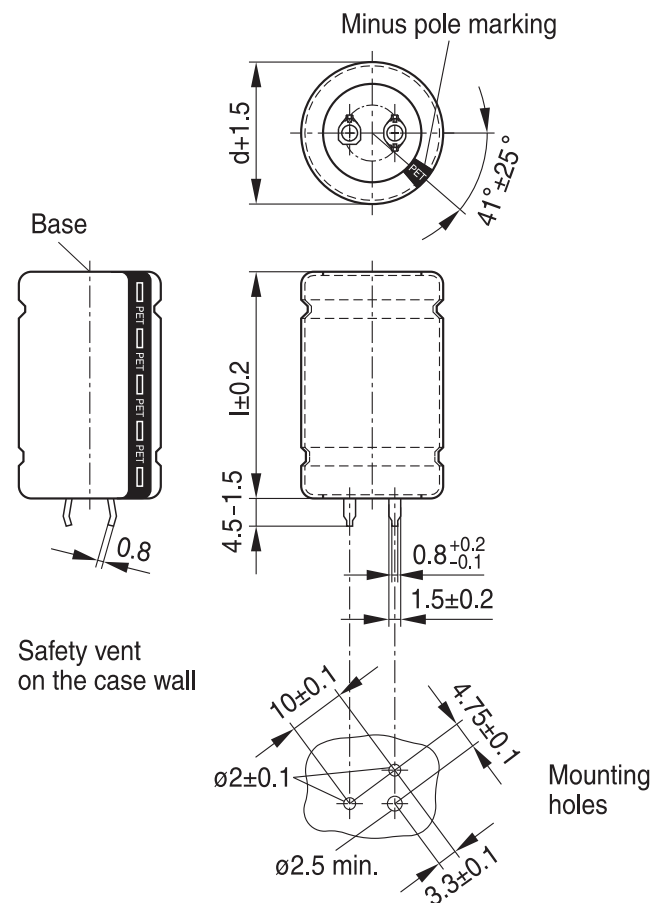
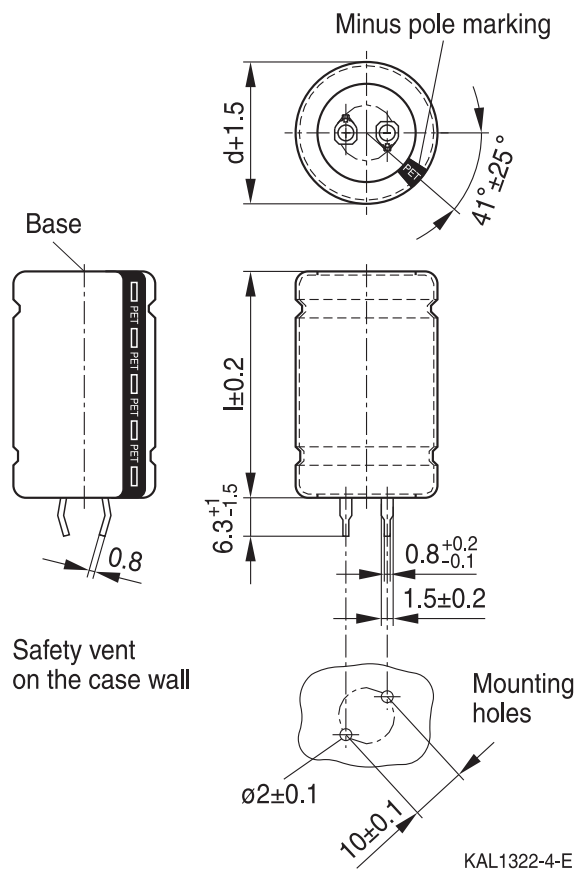
- Standard version with 2 terminals, 2 lengths available: 6.3 and 4.5 mm
- 3 terminals to ensure correct insertion: length 4.5 mm

Capacitors with base cooling feature for heat sink mounting are available upon request for series B43541, B43544, B43545, B43547 and B43548. As an option, the capacitors can be equipped with suitable thermal pads. Please refer to chapter "General technical information, 5.2 Cooling" for more details regarding thermal management.



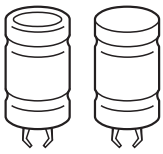
## Dimensional drawings

### Snap-in capacitors with PET sleeve insulation for base cooling



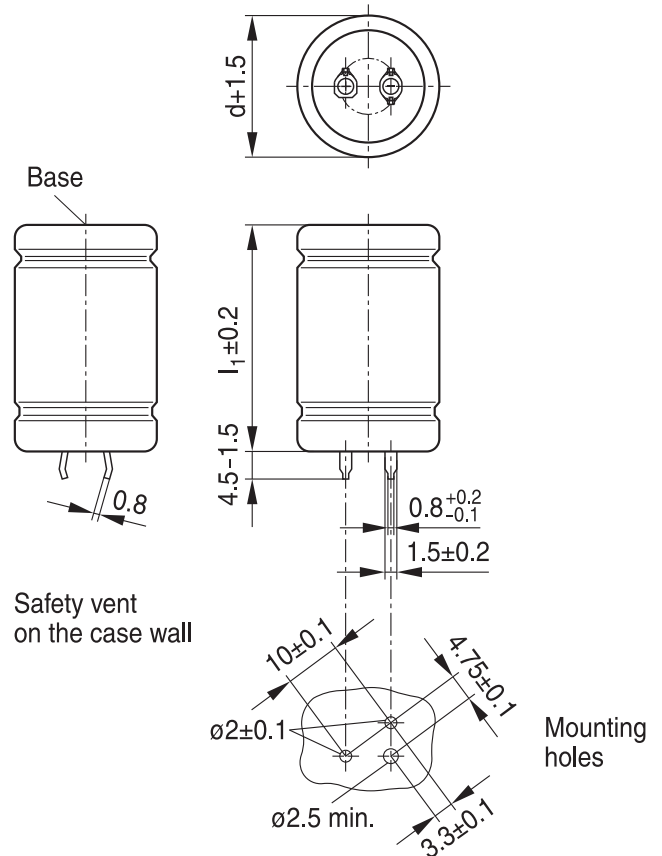
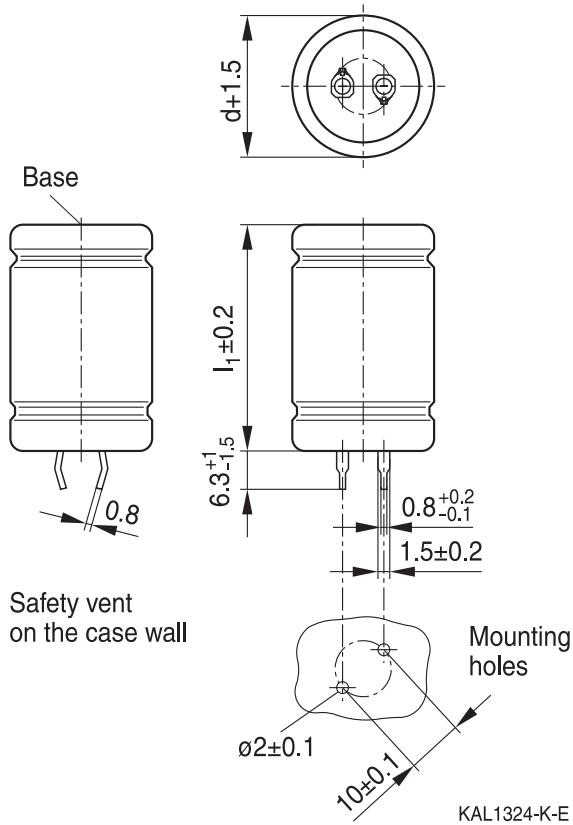
Snap-in terminals, length  $(6.3 +1/-1.5)$  mm. Also available in a shorter version with a length of  $(4.5 -1.5)$  mm. Without insulation sheet at the base. Insulation is marked with "PET" on the sleeve.

Snap-in capacitors are also available with 3 terminals (length  $(4.5 -1.5)$  mm). Without insulation sheet at the base. Insulation is marked with "PET" on the sleeve.



## Base cooling

### Snap-in capacitors without insulation for base cooling



Snap-in terminals, length  $(6.3 +1/-1.5)$  mm. Also available in a shorter version with a length of  $(4.5 -1.5)$  mm. Marking by an adhesive label.

Snap-in capacitors are also available with 3 terminals (length  $(4.5 -1.5)$  mm). Marking by an adhesive label.

## Important notes

The following applies to all products named in this publication:

1. Some parts of this publication contain **statements about the suitability of our products for certain areas of application**. These statements are based on our knowledge of typical requirements that are often placed on our products in the areas of application concerned. We nevertheless expressly point out **that such statements cannot be regarded as binding statements about the suitability of our products for a particular customer application**. As a rule, we are either unfamiliar with individual customer applications or less familiar with them than the customers themselves. For these reasons, it is always ultimately incumbent on the customer to check and decide whether a product with the properties described in the product specification is suitable for use in a particular customer application.
2. We also point out that **in individual cases, a malfunction of electronic components or failure before the end of their usual service life cannot be completely ruled out in the current state of the art, even if they are operated as specified**. In customer applications requiring a very high level of operational safety and especially in customer applications in which the malfunction or failure of an electronic component could endanger human life or health (e.g. in accident prevention or lifesaving systems), it must therefore be ensured by means of suitable design of the customer application or other action taken by the customer (e.g. installation of protective circuitry or redundancy) that no injury or damage is sustained by third parties in the event of malfunction or failure of an electronic component.
3. **The warnings, cautions and product-specific notes must be observed.**
4. In order to satisfy certain technical requirements, **some of the products described in this publication may contain substances subject to restrictions in certain jurisdictions (e.g. because they are classed as hazardous)**. Useful information on this will be found in our Material Data Sheets on the Internet ([www.tdk-electronics.tdk.com/material](http://www.tdk-electronics.tdk.com/material)). Should you have any more detailed questions, please contact our sales offices.
5. We constantly strive to improve our products. Consequently, **the products described in this publication may change from time to time**. The same is true of the corresponding product specifications. Please check therefore to what extent product descriptions and specifications contained in this publication are still applicable before or when you place an order. We also **reserve the right to discontinue production and delivery of products**. Consequently, we cannot guarantee that all products named in this publication will always be available. The aforementioned does not apply in the case of individual agreements deviating from the foregoing for customer-specific products.
6. Unless otherwise agreed in individual contracts, **all orders are subject to our General Terms and Conditions of Supply**.

## Important notes

7. **Our manufacturing sites serving the automotive business apply the IATF 16949 standard.** The IATF certifications confirm our compliance with requirements regarding the quality management system in the automotive industry. Referring to customer requirements and customer specific requirements (“CSR”) TDK always has and will continue to have the policy of respecting individual agreements. Even if IATF 16949 may appear to support the acceptance of unilateral requirements, we hereby like to emphasize that **only requirements mutually agreed upon can and will be implemented in our Quality Management System.** For clarification purposes we like to point out that obligations from IATF 16949 shall only become legally binding if individually agreed upon.
8. The trade names EPCOS, CeraCharge, CeraDiode, CeraLink, CeraPad, CeraPlas, CSMP, CTVS, DeltaCap, DigiSiMic, ExoCore, FilterCap, FormFit, LeaXield, MiniBlue, MiniCell, MKD, MKK, MotorCap, PCC, PhaseCap, PhaseCube, PhaseMod, PhiCap, PowerHap, PQSine, PQvar, SIFERRIT, SIFI, SIKOREL, SilverCap, SIMDAD, SiMic, SIMID, SineFormer, SIOV, ThermoFuse, WindCap are **trademarks registered or pending** in Europe and in other countries. Further information will be found on the Internet at [www.tdk-electronics.tdk.com/trademarks](http://www.tdk-electronics.tdk.com/trademarks).

Release 2018-10